

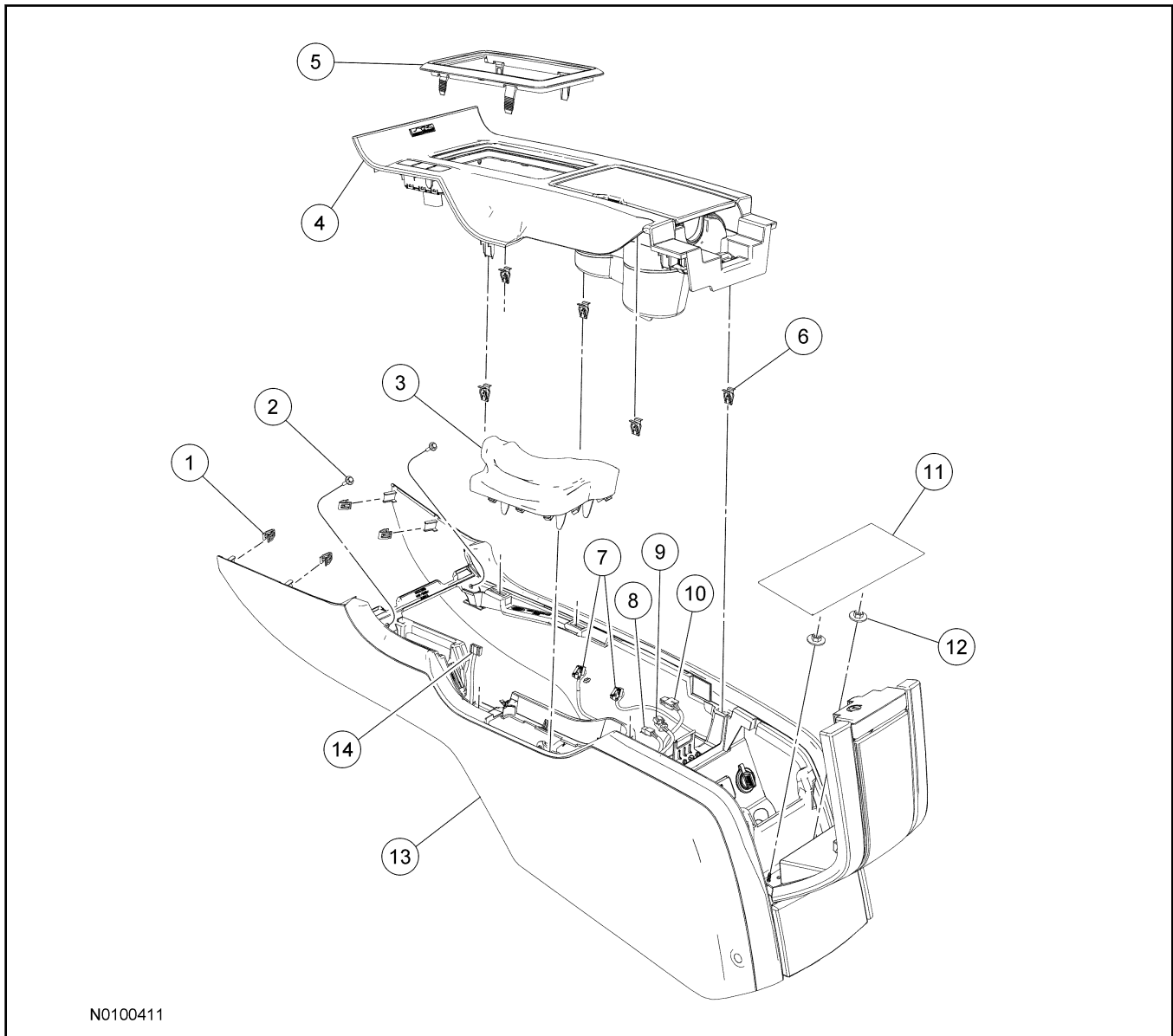
SECTION 501-12 Instrument Panel and Console

CONTENTS	PAGE
Console — Floor	501-12-2

Console — Floor

NOTE:

Floor console with automatic transmission shown, floor console with manual transmission similar.



N0100411

Item	Part Number	Description
1	—	Floor console side panel retaining clip (part of 045A36) (4 required)
2	W707628	Floor console screw (2 required)
3	2404	Parking brake control handle boot
4	044D90	Floor console finish panel
5	7E391	Selector lever bezel
6	—	Floor console finish panel retaining clip (part of 045A36) (5 required)
7	14A005	Ambient light electrical connectors
8	14A005	Universal Serial Bus (USB) electrical connector (if equipped)
9	14A005	Audio jack electrical connector
10	14A005	Power point electrical connector

(Continued)

Item	Part Number	Description
11	13586	Storage compartment mat
12	W711098	Floor console nut (2 required)
13	045A36	Floor console
14	14A005	Traction/hazard/trunk switch electrical connector

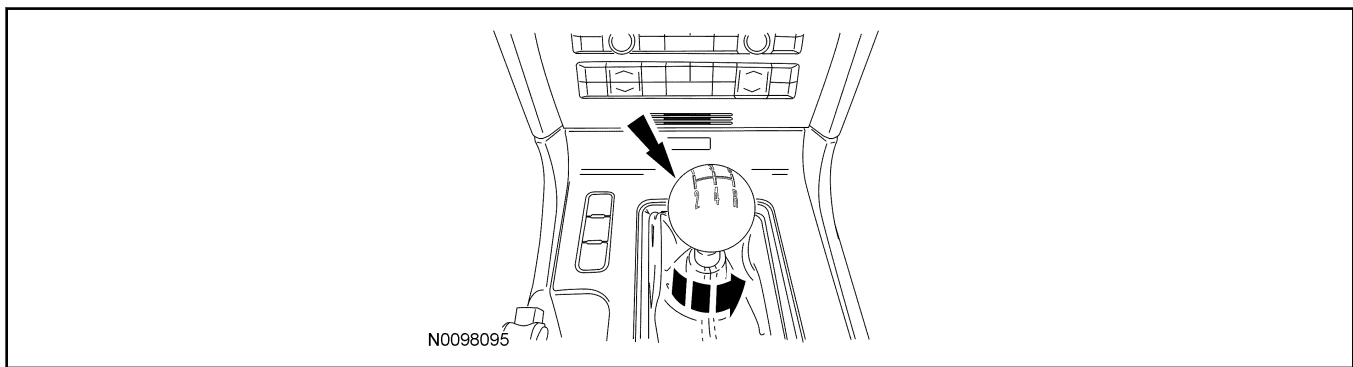
Removal and Installation

All vehicles

1. Apply the parking brake.

Vehicles with manual transmission

2. Place the gearshift lever in the NEUTRAL position.
3. Remove the gearshift lever knob.
 - Turn the gearshift lever knob in a counterclockwise direction.



Vehicles with automatic transmission

4. Place the selector lever in the NEUTRAL position.
5. **NOTICE:**
When prying on a component, a non-marring tool must be used or damage to the component may occur.

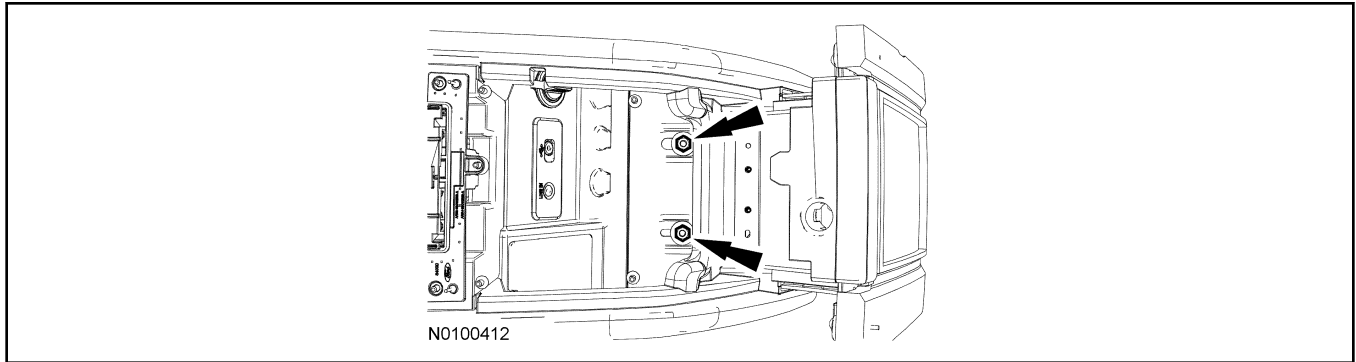
Remove the selector lever bezel.

- With a non-marring tool, lift the selector lever bezel upward.

All vehicles

6. Open the storage compartment door.
7. Remove the floor console finish panel.
 - Lift the floor console finish panel upward to release the retaining clips.
 - Disconnect the traction/hazard/trunk switch electrical connector.
 - Disconnect the 2 ambient light electrical connectors, if equipped.
8. Remove the parking brake control handle boot.
9. Disconnect the power point and audio jack electrical connectors. If equipped, disconnect the Universal Serial Bus (USB) electrical connector.
10. Release the LH and RH floor console side panels from the instrument panel.
 - Pull outward on the console side panels to release the retaining clips.
11. Remove the 2 floor console screws.
12. Remove the storage compartment mat.
13. Remove the 2 floor console nuts.

(Continued)



14. Remove the floor console.
15. To install, reverse the removal procedure.
 - Make sure to align the finish panel retaining clips to the adjacent retaining clip holes.