

# MOTOR VEHICLE MANUFACTURERS SPECIFICATIONS

METRIC (U.S. CUSTOMARY)

## 2005

Manufacturer: FORD MOTOR COMPANY	Vehicle Line: Mustang Coupe	
Mailing Address: RESEARCH & ENGINEERING CENTER MD 3021 P.O. Box 2053 DEARBORN, MICHIGAN 48121-2053	Issued: 10/25/04	Revised: N/A

Direct questions concerning these specifications to the manufacturer listed above.

The information contained herein is prepared, distributed by, and is the sole responsibility of the vehicle manufacturing company to whose products it relates. This suggested specification form was developed by the vehicle manufacturing company members of the Alliance of American Manufacturers (AAM) and the Association of International Automobile Manufacturers, Inc. (AIAM).

The General Specifications herein were in effect at date of compilation and are subject to change without notice or incurring obligation by the manufacturer.

Specifications  
METRIC (U.S. CUSTOMARY)

**Table of Contents**

---

1	Vehicle Models/Origin	⊙ Indicates Format Change from Previous Year
2	Power Teams	
3	Engine	
4	Lubrication System	
4	Diesel System	
5	Cooling System	
6	Fuel System	
7	Vehicle Emission Control	
7	Exhaust System	
8, 10	Transmission, Axles and Shafts	
11	Suspension	
12, 13	Brakes, Tires and Wheels	
14	Steering	
15, 16	Electrical	
17	Body - Miscellaneous Information	
17	Frame	
18	Glass	
18	Headlamps	
19	Climate Control System	
20, 21	Convenience Equipment	
21	Trailer Towing	
22, 24	Vehicle Dimensions	
25	Vehicle Fiducial Marks	
26	Vehicle Mass	
27	Optional Equipment Differential Mass (Weight)	
28, 34	Vehicle Dimensions Definitions - Key Sheets	
35	Index	
36	Changes from Previous Reporting	

---

**NOTE:**

1. This form uses both SI Metric units and U.S. Customary units. The metric unit of measure and the U.S. Customary unit follows in parentheses.
2. UNLESS OTHERWISE INDICATED.
  - a. Specifications apply to standard models without optional equipment. Significant deviations are noted.
  - b. Normal design dimensions are used throughout these specifications.
  - c. All linear dimensions are in millimeters (inches), and all mass (weight) specifications are in kilograms (pounds).
3. The General Specifications herein are those in effect at date of compilation and are subject to change without notice or incurring obligation by the manufacturer.
4. Additional Vehicle Dimensions (based in part on SAE J1100 "Motor Vehicle Dimensions") may be available from the manufacturer.

Specifications  
METRIC (U.S. CUSTOMARY)

Vehicle Line: Mustang Coupe

Model Year: 2005 Issued: 10/25/04 Revised (\*) N/A

**Vehicle Origin**

Design and Development (Company)	Ford Motor Company
Where Built (Country)	Flat Rock, MI USA
Authorized US Sales Marketing Representative	Ford Division, Ford Motor Company

**Vehicle Models**

Model Description & Drive (FWD/RWD/AWD/4WD) *	Introduction Date	Make, Vehicle, Models Series, Body Type (Mfg's Model Code)	No. of Designated Seating Positions (Front/Rear)	Max. Trunk/Cargo Load-Kilograms (Pounds)	EPA Fuel Economy (City/Hwy)
<b>All RWD</b>					
<b>4.0L 2V V6, T5 5-Speed Manual Transmission</b>					
Mustang Coupe, Deluxe		T80/110A	2/2	54.4 (120)	19/28
Mustang Coupe, Premium		T80/120A	2/2	54.4 (120)	19/28
<b>4.6L 3V V8, TR3650 5-Speed Manual Transmission</b>					
Mustang GT Coupe, Deluxe		T82/130A	2/2	54.4 (120)	17/25
Mustang GT Coupe, Premium		T82/140A	2/2	54.4 (120)	17/25

\* (FWD - Front Wheel Drive RWD - Rear Wheel Drive AWD - All Wheel Drive 4WD - Four Wheel Drive)

**Specifications**  
**METRIC (U.S. CUSTOMARY)**

Vehicle Line: Mustang Coupe

Model Year: 2005 Issued: 10/25/04 Revised (\*) N/A

**Power Teams**

SAE J1349 Net bhp (brake horsepower) and Net Torque to 77°F/25°C and 29.61 in. Hg/100 kPa atmospheric pressure.

		<b>A</b>	<b>B</b>	<b>C</b>	<b>D</b>	
<b>E N G I N E</b>	Dealer Engine Ordering Code					
	Displacement Liters (in <sup>3</sup> )	4.0L (244) SOHC V6	4.0L (244) SOHC V6	4.6L (280) OHC 3V V8	4.6L (280) OHC 3V V8	
	Induction System (FI, Carb, etc)	Sequential Electronic Fuel Injection	Sequential Electronic Fuel Injection	Sequential Electronic Fuel Injection	Sequential Electronic Fuel Injection	
	Compression Ratio	9.7:1	9.7:1	9.8:1	9.8:1	
	SAE Net at RPM	Power kW (bhp)	157 (210) @ 5300RPM	157 (210) @ 5300RPM	224(300)@ 5750RPM	224(300)@ 5750RPM
		Torque N m (lb ft)	325 (240) @ 3500RPM	325 (240) @ 3500RPM	434(320)@ 4500RPM	434(320)@ 4500RPM
	Exhaust (Single, Dual)	Single	Single	Dual	Dual	
<b>T R A N S</b>	Transmission/ Transaxle	5-Speed Manual Transmission (T5)	5-Speed Automatic (5R55S)	5-Speed Manual Transmisison (TR3650)	5-Speed Automatic (5R55S)	
	Effective Final Drive/Axle Ratio (std. 1st)	3.31	3.31	3.55	3.31	

<b>Model</b>	<b>Series Availability Code</b>	<b>Power Teams A - B - C - D</b>	
		<b>Standard</b>	<b>Optional</b>
V6 Coupe Deluxe	T80/110A	A	B
V6 Coupe Premium	T80/120A	A	B
GT Coupe Deluxe	T82/130A	C	D
GT Coupe Premium	T82/140A	C	D

Specifications  
METRIC (U.S. CUSTOMARY)

Vehicle Line: Mustang Coupe

Model Year: 2005 Issued: 10/25/04 Revised (\*) N/A

Engine Description  
Dealer Engine Order Code

4.0L	4.6L
------	------

**Engine - General**

Type and description (in-line, V, angle, flat location, front, mid, rear, transverse, longitudinal, sohc, dohc, ohv, hemi, wedge, pre-chamber, etc.)		60 Degree V6 SOHC	90 Degree V8 SOHC w/ VCT
Manufacturer		Ford Motor Company	Ford Motor Company
No. of Cylinders		6	8
Bore mm (in)		100.4 (3.95)	90.2 (3.55)
Stroke mm (in)		84.4 (3.32)	90.0 (3.54)
Bore spacing (C/L to C/L) mm (in)		120.9 (4.76)	100 (3.94)
Cylinder block mass kg (lbs) & material (machined)		65 (143) Cast Iron	36.7 (81.0) Aluminum
Cylinder block deck height mm (in)		225 (8.86)	227 (8.95)
Cylinder block length mm (in)		447 (17.6)	500.5 (19.7)
Deck clearance (minimum) (above or below block) mm (in)		.49 (.19) Below	.3 (.012) Below
Cylinder head mass kg (lbs) & material		15 (33) Aluminum	LH 13.88 (30.6) RH 13.74 (30.3) Aluminum
Cylinder head volume cm <sup>3</sup> (in <sup>3</sup> )		60 (3.66)	50.3 (3.07)
Cylinder liner material		N/A	Cast Iron
Head gasket thickness (compressed) mm (in)		.73 (.028)	1 (.039)
Minimum combustion chamber total volume cm <sup>3</sup> (in <sup>3</sup> )		60 (3.664)	65.02 (3.97)
Cylinder No. System (front/rear)	L. Bank	4-5-6	5-6-7-8
	R. Bank	1-2-3	1-2-3-4
Firing order		1-4-2-5-3-6	1-3-7-2-6-5-4-8
Intake manifold mass kg (lbs) & material**		5.9 (13) Composite, inc. aluminum throttlebody, egr cold tube, bolts and seals	7.47 (16.47) Composite
Exhaust manifold mass kg (lbs) & material**		LH 3.78 (8.35) RH 3.85 (8.50) Cast Iron	LH 4.8 (10.6) RH 4.49 (9.9) Cast Iron
Knock sensor (number & location)		1, In valley of cylinder block	2, In valley
Fuel required (unleaded, diesel, etc)		Unleaded	Unleaded
Fuel antiknock index ((R+M) / 2)		87	87
Engine Mounts	Quantity	2 engine, 1 transmission	2
	Material and type (elastomeric, hydroelastic, hydraulic damper, etc)	Hydromounts	Hydromount
	Added isolation (sub-frame, crossmember, etc)	Additional transmission mount	
Total dressed engine mass (wt) dry ***		183 (405) w/auto transmissison	191 (421)

**Engine - Pistons**

Mass, g (weight, oz) & material, piston only	450 (15.87) Cast Aluminum	358 (12.63) Hypereutectic Aluminum Alloy
--	---------------------------	--

**Engine - Camshaft**

Location	Single, overhead	SOHC in Cylinder Head
Mass kg (lbs) & material	1.85 (4.08) Steel tube, iron lobes	2.81 (6.2) Steel tubular
Drive type	Chain/belt	Chain
	Width/pitch mm (in)	13.3/9.525 (.52/.375)

\* Rear of engine - drive takeoff. View from drive takeoff end to determine left and right side of engine.

\*\* Finished state

\*\*\* Dressed engine mass (weight) includes the following:

**Specifications**  
**METRIC (U.S. CUSTOMARY)**

Vehicle Line: Mustang Coupe

Model Year: 2005 Issued: 10/25/04 Revised (\*) N/A

**Engine Description**  
**Dealer Engine Order Code**

<b>4.0L</b>	<b>4.6L</b>
-------------	-------------

**Engine - Valve System**

Hydraulic lifters (std., opt., n.a.)		Hydraulic Lash Adjusters	Hydraulic Lash Adjusters
Valves	Number of intake/exhaust	6/6	16 Intake / 8 Exhaust (24 Total)
	Head O.D. intake/exhaust mm (in)	46/39 (1.81/1.53)	33.8/37.5 (1.33/1.48)

**Engine - Connecting Rods**

Mass kg (lbs) & material *	.585 (1.29)	Forged Steel	.614 (1.35)	PM, ea
Length (axes C/L to C/L) mm (in)	146 (5.74)		150.7 (5.933)	

**Engine - Crankshaft**

Mass kg (lbs) & material *	20.05 (44.22)	Cast Iron	19.84 (43.75)	Nodular Iron
End thrust taken by bearing (No.)	#3		#5	
Length & number of main bearings mm (in)		4	19.11 (.752)	.5
Seal (material, one, two, piece design etc)	Front	Flourocarbon, lip, dust sleeve on damper	Rubber over steel fluorelastomer	
	Rear	Flourocarbon, lip	Rubber over steel fluorelastomer	

**Engine - Lubrication System**

Normal oil pressure kPa (psi) at engine rpm	min 103 (15)	@2000RPM	207-414 (30-60)	@2000rpm
Type oil intake (floating, stationary)	Stationary		Stationary shrouded screen pump	
Oil filter system (full flow, part, other)	Full Flow		Full Flow	
Capacity of c/case, less filter-refill L (qt)	3.8 (4)	add one qt w/filter	5.676 (6)	Less .47 (.5) for filter

**Engine - Diesel Information**

Not Applicable

Diesel engine manufacturer	
Glow plug, current drain at 0° F.	
Injector	Type
Nozzle	Opening pressure kPa (psi)
Pre-chamber design	
Fuel Injection	Manufacturer
Pump	Type
Fuel injection pump drive (belt, chain, gear)	
Supplementary vacuum source (type)	
Fuel heater (yes/no)	
Water separator, description (std., opt.)	
Turbo manufacturer	
Oil cooler-type (oil to engine coolant; oil to ambient air)	
Oil filter	

**Engine - Intake System**

Not Applicable

Turbo charger - manufacturer	
Super charger - manufacturer	
Intercooler	

\* Finished State

**Specifications**  
**METRIC (U.S. CUSTOMARY)**

Vehicle Line: Mustang Coupe

Model Year: 2005 Issued: 10/25/04 Revised (\*) N/A

**Engine Description**  
**Dealer Engine Order Code**

<b>4.0L</b>	<b>4.6L</b>
-------------	-------------

**Engine - Cooling System**

Coolant recovery system (std., opt., n.a.)		Standard, Quiescent Bottle	
Coolant fill location (rad., bottle)		Bottle	
Radiator cap relief valve pressure kPa (psi)		110 (16)	
Circulation thermostat	Type (choke, bypass)	Poppet, pellet controlled	Bypass
	Starts to open at °C (°F)	92 (197)	82.2 (180)
Water pump	Type: centrifugal, other	Centrifugal	Centrifugal
	GPM 1000 pump rpm	10.5	10.5
	Number of pumps	1	1
	Drive (V-belt, other)	6 rib V-belt	Poly-V
	Bearing type	Ball/Roller	Ball/Roller
	Impeller material	Cast Iron	Stamped Steel Shrouded
	Housing material	Aluminum	Aluminum
By-pass recirculation type (inter., ext.)		External	
Cooling system capacity	With heater - L (qt)	11.8 (12.5)	13.4 (14.2)
	With air conditioner - L (qt)	11.8 (12.5)	13.4 (14.2)
	Opt. equipment specify - L (qt)	N/A	N/A
Water jackets full length of cyl. (yes/no)		No	Yes
Water all around cylinder (yes/no)		Yes	No
Water jacket open at head face (yes/no)		No	No
Radiator core	Standard A/C, HD	Standard	
	Type (cross flow, etc)	Cross-flow	
	Construction (fin & tube mechanical, braze, etc)	Tube and Fin, Controlled atmosphere Brazed	
	Mass kg (lbs) & material	4.42 (9.74)	
	Width mm (in)	613 (24.13)	
	Height mm (in)	501 (19.72)	
	Thickness mm (in)	26 (1.02)	
Fins per decimeter (in)		85 (21.59)	
Radiator end tank material		30% Glass Filled Nylon	
Fan	Std., elec., opt.	Standard	
	Number of blades and type (flex, solid, material)	6 blade Nylon ring	
	Number & location (front, rear of radiator)	Rear of radiator	
	Diameter & projected width	445 mm	
	Ratio (fan to crankshaft rev.)	N/A	
	Fan cutout type	N/A	
	Drive type (direct, remote)	N/A	
	RPM at idle (elec.)	Low Speed -1480 rpm, High Speed 1880 rpm	
	Motor rating (wattage/elec.)	350 watt @ 12.8V	
	Motor switch (type & location/elec.)	Electrical-EEC Control	
	Switch point (temp./pressure/elec.)	Electrical-EEC Control 101C (214F) for low speed and 107C (225F) for high speed	
Fan shroud (material)		Glass and Mineral Filled Nylon	

# Specifications

METRIC (U.S. CUSTOMARY)

Vehicle Line: Mustang Coupe

Model Year: 2005 Issued: 10/25/04 Revised (\*) N/A

## Engine Description

Dealer Engine Order Code

<b>4.0L</b>	<b>4.6L</b>
-------------	-------------

## Engine - Fuel System (see supplemental page for details of Fuel Injection, Supercharger, Turbocharger, etc., if used)

Induction type: carburetor, fuel injection sys, etc.		Sequential fuel injection	Sequential Electronic Fuel Injection
Manufacturer		Ford	Visteon
Carburetor No. of barrels		65mm single bore throttle body	N/A
Idle A/F mix		Variable, closed loop	14.6 :1
Fuel Injection	Point of injection (No.)	Port, 6	Intake Port, 8
	Constant, pulse, flow	Pulse	Timed Pulse
	Control (electronic, mech.)	Electronic	Electronic
	System pressure kPa (psi)	max 448 (65) variable, up to max	270 (39.2)
Idle speed - rpm (spec. neutral or drive & propane if used)	Manual	700 RPM	740 RPM
	Automatic	650 RPM	600 RPM (Drive, Idle)
Intake manifold heat control (exhaust or water thermostat or fixed)		None	None
Air cleaner type		Panel	
Fuel filter (type/location)		Cannister, in-line	Paper element, stainless steel housing
Fuel Pump	Type (elect or mech)	Electric	
	Location (eng., tank)	Tank	
	Pressure range kPa (psi)	500 (72.51)	
	Flow rate at regulated pressure L (gal)/hr @ kPa (psi)	123 (32.49) @	

## Fuel Tank

Capacity refill L (gallons)		60.56 (16)
Location (describe)		Midship
Attachment		2 straps
Mass kg (lbs) & material		13.33 (29.4) Steel
Filler Pipe	Location & material	LHS, LC steel
	Connection to tank	Hose
Fuel line (material)		SS & multi-layer nylon
Fuel hose (material)		Multi-layer CADBAR
Return line (material)		N/A
Vapor line (material)		SS & multi-layer nylon
Extended Range Tank	Opt., n.a.	N/A
	Capacity L (gallons)	N/A
	Location & material	N/A
	Attachment	N/A
Auxiliary Tank	Opt., n.a.	N/A
	Capacity L (gallons)	N/A
	Location & material	N/A
	Attachment	N/A
	Selector switch or valve	N/A
	Separate fill	N/A



Specifications  
METRIC (U.S. CUSTOMARY)

Vehicle Line: Mustang Coupe

Model Year: 2005 Issued: 10/25/04 Revised (\*) N/A

Engine Description  
Dealer Engine Order Code

<b>4.0L</b>	<b>4.6L</b>
-------------	-------------

**Vehicle Emission Control**

Exhaust Emission Control	Type (air injection, engine modification, other)		Dual Equal Variable Cam Timing	
	Air Injection	Pump or pulse	None	
		Driven by	N/A	
		Air distribution (head, manifold, etc)	N/A	
		Point of entry	N/A	
	Exhaust Gas Recirculation	Type (controlled flow, open orifice, other)	Controlled flow	
		Exhaust Source	LH exhaust manifold	
		Point of exhaust injection (spacer, carburetor, manifold, other)	Intake Manifold	
	Catalytic Converter	Type	Three way catalyst	
		Number of	1	
		Location(s)	Toe board	
		Volume L (in <sup>3</sup> )	3.6 (220)	
		Substrate type	Ceramic	
		Noble metal type	Platinum, Palladium, Rhodium	
	Crankcase Emission Control	Type (ventilates to atmosphere, induction system, other)		Induction System
Energy source (manifold vacuum, carburetor, other)		Manifold Vacuum		
Discharges to (intake manifold, other)		Intake Manifold		
Air inlet (breather cap, other)		Clean Air Tube		
Evaporative Emission Control	Vapor vented to crankcase, canister, other)	Fuel Tank	Vented to carbon canister	
		Carburetor	N/A	
	Vapor storage provision		2.5 (152.4) Carbon canister	
Electronic System	Closed loop (yes/no)		Yes, normal operation	
	Open loop (yes/no)		Yes, during hard acceleration and cold startup	

**Engine - Exhaust System**

Type (single, single with cross-over dual, other)		Single		Dual	
Muffler No. & type (reverse flow, straight thru, separate resonator)		1, Reverse flow		2, Reverse flow	
Muffler volume L (in <sup>3</sup> )		10.3 (628)		20.6 (1256.1)	
Muffler mass kg (lbs) & material		5.9 (13) 409 Stainless Steel		5.4 (11.9)	
Resonator No., type & volume L (in <sup>3</sup> )		N/A			
Exhaust Pipe	Branch o.d., wall thickness mm (in)	N/A			
	Main o.d., wall thickness mm (in)	N/A			
	Mass kg (lbs) & material	N/A			
Intermediate Pipe	O.D. & wall thickness mm (in)		63.5 (2.5) OD		1.4 (.055) Wall thickness
	Mass kg (lbs) & material		5 (11) 409 Stainless Steel		4 (8.8)
	O.D. & wall thickness mm (in)		63.5 (2.5) OD		76.2 (3.0) Wall thickness
Tail Pipe	O.D. & wall thickness mm (in)		1.4 (.055) Wall thickness		1.4 (.055)
	Mass kg (lbs) & material		Weight inc. in Muffler 304 Stainless Steel		

Specifications  
METRIC (U.S. CUSTOMARY)

Vehicle Line: Mustang Coupe

Model Year: 2005 Issued: 10/25/04 Revised (\*) N/A

Engine Description  
Dealer Engine Order Code

4.0L/T5	4.6L/TR3650
---------	-------------

**Transmission/Transaxle (Std., Opt., N.A.)**

Manual 4-speed (manufacturer/country)	N/A
Manual 5-speed (manufacturer/country)	Standard, (TREMEC/Mexico)
Manual 6-speed (manufacturer/country)	N/A
Automatic (manufacturer/country)	N/A
Automatic overdrive (manufacturer/country)	Ford Motor Company / France

**Manual Transmission/Transaxle**

Number of forward speeds		5	5
Gear Ratios	1st	3.75 :1	3.38 :1
	2nd	2.19 :1	2.00 :1
	3rd	1.41 :1	1.32 :1
	4th	1.00 :1	1.00 :1
	5th	0.72 :1	0.675 :1
	6th	N/A :1	N/A :1
	Reverse	3.53 :1	3.38 :1
Synchronous meshing (specify gears)		1,2,3,4 & 5	1,2,3,4,5 & Rev.
Shift lever location		Floor console	Floor console
Trans. case mass kg (lbs) & material *		41.7 (92)	55.6 (122.5)
Lubricant	Capacity L (pt.)	2.7 (5.7)	3.0 (6.34)
	Type recommended	Mercon	Mercon

**Clutch (Manual Transmission)**

Clutch manufacturer		Valeo	
Clutch type (dry, wet; single, multiple disc)		Dry	
Linkage (hydraulic, cable, rod, lever, other)		Hydraulic	
Max. pedal effort (nom. spring load) N (lbs)	Depressed	142 (32)	151 (34)
	Released		
Assist (spring, power/percent, nominal )		Return spring only	
Type pressure plate springs		Belleville	
Total spring load (nominal) N (lbs)		6700 (1506)	8100 (1821)
Clutch Facing	Facing mfr. & material coding	Valeo F810	
	Facing material & construction	Lead free	
	Rivets per facing	8	9
	Outside x inside dia. (nominal) mm (in)	254x164 (10x6.5)	280x198 (11x7.8)
	Total eff. area cm <sup>2</sup> (in. <sup>2</sup> )	295.3 (45.8)	307.7 (47.7)
	Thickness (pressure plate side/fly wheel side) mm (in)	7.85 (.31)	7.2 (.28)
	Rivet depth (pressure plate side/fly wheel side) mm (in)	.9 (.04)	
	Engagement cushion method	Tripod	
Release bearing type & method lub.		CSC	
Torsional damping method, springs, hysteresis		Torsional spring	

\* Includes shift linkage, lubricant and clutch housing. If other, specify

**Specifications**  
**METRIC (U.S. CUSTOMARY)**

Vehicle Line: Mustang Coupe

Model Year: 2005 Issued: 10/25/04 Revised (\*) N/A

**Engine Description**  
**Dealer Engine Order Code**

<b>4.0L</b>	<b>4.6L</b>
-------------	-------------

**Automatic Transmission / Transaxle**

Trade Name		Automatic (5-Speed) Non-Synchronous (5R55S)			
Type and special features (describe)		5-Speed Electronically Controlled Torque Converter Lock-Up and Shift Pattern: Adaptive Shift Capacity			
Shift mechanics					
Gear Selector	Location (column, floor other)	Floor			
	Ltr./ No. designation (e.g. PRND21)	P R N D 3 2 1			
	Shift interlock (yes, no, describe)	Yes			
Gear Ratios	1st	3.22 :1			
	2nd	2.29 :1			
	3rd	1.54 :1			
	4th (5th)	1.0 :1		(5th: 0.71:1)	
	Reverse	3.07 :1			
Final drive ratio					
Max. upshift vehicle speed - drive range km/h (mph)		174 (108)		217 (135)	
Max. upshift engine speed RPM		5850		6250	
Max. kickdown speed - drive range km/h (mph)		151 (94)		177 (110)	
Min. overdrive speed km/h (mph)		46 (29)		39 (24)	
Torque Converter	Type	High Capacity Lock-up			
	Torus design	17% Squash			
	Number of elements	3			
	Max. ratio at stall	1.94		1.92	
	Type of cooling (air, liquid)	Liquid			
	Nominal diameter mm (in)	260 (10.25)			
Capacity factor "K"		165			
Pump Type		Trochocentric			
Lubricant	Capacity refill L (pt.)	10.6 (22.4)			
	Type recommended	WSS-M2C919-E (E-Fluid)			
Oil cooler (std., opt., N.A. internal, external, air, liquid)		Standard, Oil to Air			
Transmission mass kg (lbs) & case material **		77.2 (170)		Aluminum 78.8 (174) Aluminum	

**All Wheel / 4 Wheel Drive**

Not Applicable

Description & type (part-time, full-time, 2/4 shift while moving, mechanical, elect., chain/gear, etc)					
Transfer Case	Manufacturer and model				
	Type and location				
Low-range gear ratio					
System disconnect (describe)					
Center Differential	Type (bevel, planetary, w or w/o viscous bias, torsen, etc)				
	Torque split (% front/rear)				

\* Input speed divided by square root of torque

\*\* Dry weight including torque converter. If other, specify

**Specifications**  
METRIC (U.S. CUSTOMARY)

Vehicle Line: Mustang Coupe  
 Model Year: 2005 Issued: 10/25/04 Revised (\*) N/A

<b>Engine Description</b>			
<b>Dealer Engine Order Code</b>	<b>4.0L (all)</b>	<b>4.6L (auto)</b>	<b>4.6L (MTX)</b>

**Axle Ratio and Tooth Combinations** (See 'Power Teams' on Page 2 for axle ratio usage)

Axle ratio (or overall top gear ratio)		3.31	3.31	3.55
Ring gear o.d. mm (in)		190.5 (7.5)	223.5 (8.8)	223.5 (8.8)
No. of Teeth	Pinion	13	13	11
	Ring Gear	43	43	39

**Rear Axle Unit**

Description		Semi-Float Beam Axle		
Limited slip differential (type)		Carbon Fiber		
Drive Pinion	Type	Hypoid		
	Offset	0.9985	1.497	1.497
No. of Differential Pinions		2		
Pinion Differential	Adjustment (shim, etc)	Shims		
	Bearing adjustment	None		
Driving wheel bearing (type)		Roller bearing assembly		
Lubricant	Capacity L (pt)	1.4 (3.0) 1.3 (2.75 refill)	1.9 (4.0) 1.8 (3.75 refill)	+4oz friction modifier (V8 only)
	Type recommended	Lube: 75W140 (M2C192-A); Friction modifier: XL-3 (M2C118-A)		

**Propeller Shaft - Rear Wheel Drive**

V6 V8

Manufacturer		Visteon		
Type (straight tube, tube-in-tube, internal-external damper, etc)		Slip-in-tube	Two piece straight tube with CVJ	
Outer diam. x length x wall thickness mm (in)	Manual 4-speed transmission	N/A		
	Manual 5-speed transmission	88.9x1445x1.8 (3.5x56.9x.07)	79.3x459.6x1.65 (3.1x18.1x.06) 69.85x677.3x1.83 (2.75x26.7x.07) 1328.8 (52.3)	Front Rear o/a length
	Manual 6-speed transmission	N/A		
	Overdrive	N/A		
	Automatic transmission	76.2x1359x1.8 (3.0x53.5x.07)	79.3x459.6x1.65 (3.1x18.1x.06) 69.85x677.3x1.83 (2.75x26.7x.07) 1328.8 (52.3)	Front Rear o/a length
Intermediate bearing	Type (plain, anti-friction)	Plain		
	Lubrication (fitting, prepack)	Sealed with grease		
Slip Yoke	Type	N/A		
	Number of teeth	N/A		
	Spline o.d. mm (in)	N/A		
Universal Joints	Make & Mfg. No.	Front	Visteon 1330 XC	
		Rear	Visteon 1330 XC	
	Number used	4	2	2
	Type (ball and trunnion, cross)	Carden (Bearing clips)		
	Rear attach (u-bolt, clamp, etc)	Full round with bolts	CVJ with 6 bolts	
Bearing	Type (plain, anti-friction)	Needle		
	Lubrication (fitting, prepack)	Grease		
Drive taken through (torque tube, arms or springs)		Tube		
Torque taken through (torque tube, arms or springs)		Tube		

Specifications  
METRIC (U.S. CUSTOMARY)

Vehicle Line: Mustang Coupe

Model Year: 2005 Issued: 10/25/04 Revised (\*) N/A

Model Code/Description And/Or  
Engine Code/Description

<b>All Models</b>
-------------------

**Suspension - General Including Electronic Controls**

Car Leveling	Standard / Optional / Not Avail.		N/A		
	Manual / automatic control		-		
	Type (air / hydraulic)		-		
	Primary / assist spring		-		
	Rear only / 4 wheel leveling		-		
	Single / dual rate spring		-		
	Single / dual ride heights		-		
	Provision for jacking		-		
Shock Absorber Damping Controls	Standard / Optional / Not Avail.		N/A		
	Manual / automatic control		-		
	Number of damping rates		-		
	Type of actuation (manual/ electric motor /air, etc)		-		
	Sensors	Lateral acceleration		-	
		Deceleration		-	
		Acceleration		-	
Road surface		-			
Shock Absorber (front & rear)	Type		Front: Twin tube gas-pressurized strut. Rear: Twin tube gas-pressurized shock.		
	Make		Tokico		
	Piston Diameter mm (in)	35 (1.38)		Front	
		32 (1.26)		Rear	
	Rod Diameter mm (in)	22 (.87)		Front	
12.5 (.49)		Rear			

**Suspension-Front**

Type and Description		Macpherson strut with rear facing L-arm		
Travel	Full jounce mm (in) (define load condition)	86 (3.39)	From Design	
	Full rebound mm (in)	100 (3.94)	From Design	
Spring	Type (coil, leaf, other & material)	Coil		
	Insulators (type & material)	Natural rubber		
	Size:(Leaf:length & width; Coil:design ht & id, Bar: length & dia)	206 (8.11)	Design Height	
		145 (5.71)	ID	
	Spring rate N/mm (lb./in.)	GT Coupe: 23.9 N/mm (136.5 lb/in). All others: 20.0 N/mm (114.2 lb/in).		
	Rate at wheel N/mm (lb./in.)	GT Coupe: 29.9 N/mm (170.7 lb/in). All others: 26.0 N/mm (148.5 lb/in).		
Stabilizer	Type (link, linkless, frameless)	Hollow bar, ball joint link		
	O.D. bar/tube, wall thickness mm (in) & material	34 (1.34)	GT	Steel, wall thickness 15% of OD
	28.6 (1.1)	V6		

**Suspension - Rear**

Type and Description		3-Link with panhard rod		
Travel	Full jounce mm (in) (define load condition)	89 (3.5)	From Design	
	Full rebound mm (in)	102.1 (4.02)	From Design	
Spring	Type (coil, leaf, other & material)	Coil		
	Size:(Leaf:length & width; Coil:design ht & id, Bar: length & dia)	256 (10.1)	Design Height	
		62 (2.44)	ID	
	Spring rate N/mm (lb./in.)	Convertible: 21.5 N/mm (122.8 lb/in). Coupe: 24.9 N/mm (142.2 lb/in)		
	Rate at wheel N/mm (lb./in.)	Convertible: 25.5 N/mm (145.6 lb/in). Coupe: 29.9 N/mm (170.7 lb/in)		
Stabilizer	Type (link, linkless, frameless)	Solid bar, drop link with bushings (upper: spool SilentBloc, lower: SLE spool)		
	O.D. bar/tube, wall thickness mm (in) & material	20 (.79)	GT Coupe	
		18 (.71)	GT Convertible	Steel
Track bar type		Panhard Rod: hollow bar with mold bonded bushing on both ends.		

Specifications  
METRIC (U.S. CUSTOMARY)

Vehicle Line: Mustang Coupe  
Model Year: 2005 Issued: 10/25/04 Revised (\*) N/A

Model Code/Description And/Or  
Engine Code/Description

Base (V6)	GT (V8)
-----------	---------

**Brakes -- Service**

Description		Hydraulic Brake System		
Manufacturer and brake type (std., opt., n.a.)	Front (disc or drum)	TRW Disc		
	Rear (disc or drum)	TRW Disc		
Valving type (proportion, delay, metering, other)		Proportion (non ABS) DRP (ABS)		
Power brake (std., opt., n.a.)		Standard		
Booster type (remote, integral, vac., hyd., etc)		Vacuum		
Vacuum	Source (inline, pump, etc.)	Engine Vacuum		
	Reservoir (volume in. <sup>3</sup> )	2.9 (179)	Booster volume, 8+9 step tandem booster	
	Pump type (elec., gear driven, belt driven)	N/A		
Traction Assist		All speed		
Operational speed range		All speed		
Type (engine or brake intervention)		Engine and Brake		
Antilock Device	Front/rear (std., opt., n.a.)	4 Channel, optional	4 Channel, Standard	
	Manufacturer	TRW		
	Type (electronic, mech.)	Electronic		
	Number of sensors or circuits	4		
	Number antilock hydraulic circuits	4		
	Integral or add-on system	Integral		
	Yaw Control (yes, no)	No		
	Hydraulic power source (elec., vac., mtr., pwr strng)	Electric Pump		
Effective area cm <sup>2</sup> (in. <sup>2</sup> ) *		51.1 (7.92)	Front	
		25.94 (4.02)	Rear	
Gross Lining Area cm <sup>2</sup> (in. <sup>2</sup> ) ** (F/R)		62.8 (9.73)	Front	
		34.6 (5.36)	Rear	
Swept area cm <sup>2</sup> (in. <sup>2</sup> ) *** (F/R)		1512 (234.4)	Front	
		1281 (198.6)	Rear	
Rotor	Outer working diameter mm (in), (F/R)	293 (11.5)	Front	
		300 (11.8)	Rear	
	Inner working diameter mm (in), (F/R)	194 (7.6)	Front	
		222 (8.7)	Rear	
	Thickness mm (in), (F/R)	30 (1.2)	Front	
		19 (.75)	Rear	
	Material & type, (F/R)	Cast Iron	Front	
		Cast Iron	Rear	
Vented / solid, (F/R)	Vented	Front		
	Vented	Rear		
Drum	Diameter & width mm (in), (F/R)	N/A		
	Type & material, (F/R)	N/A		
Wheel cylinder bore mm (in)		N/A		
Master cylinder	Bore/Stroke mm (in), (F/R)	27/36 (1.06/1.4)	Stroke is combined front and rear	
Pedal arc ratio		3.5 :1		
Line pressure at 445N (100 lbs) pedal load kPa (psi)		8400 (1218)		
Lining clearance mm (in), (F/R)		.1 (.004)	Front	
		.2 (.008)	Rear	
Brake Lining	Front Wheel	Bonded or riveted (rivets/seg.)		Bonded
		Rivet size mm (in)		N/A
		Manufacturer		Akebono
		Lining code *****		BP5142
		Material		NAO
	Rear Wheel	Size ****	Primary or out-board	112x42x11 (4.4x1.65x.43)
			Secondary or in-board	112x42x11 (4.4x1.65x.43)
		Bonded or riveted (rivets/seg.)		Bonded
		Rivet size mm (in)		N/A
		Manufacturer		Akebono
Lining code *****		BP5016E		
Material		NAO		
Size ****	Primary or out-board	98x40.2x11.5 (3.86x1.58x.45)		
	Secondary or in-board	98x40.2x11.5 (3.86x1.58x.45)		
Shoe thickness (no lining) mm (in)		6 (.24)		

\* Excludes rivet holes, grooves, chamfers, etc.

\*\* Includes rivet holes, grooves, chamfers, etc.

\*\*\* Total swept area for four brakes: (Drum brake: Widest lining contact width for each brake x its contact circumference.)  
(Disc brake: Square of Outer Working Dia. minus Square of Inner Working Dia. multiplied by  $\pi/2$  for each brake.)

\*\*\*\* Size for drum brakes includes length x width x thickness.

\*\*\*\*\* Manufacturer I.D. catalog for formulation designation and coefficient of friction classification.

**Specifications**  
**METRIC (U.S. CUSTOMARY)**

Vehicle Line: Mustang Coupe

Model Year: 2005 Issued: 10/25/04 Revised (\*) N/A

**Model Code/Description And/Or  
 Engine Code/Description**

V6		GT
Deluxe	Premium	Deluxe/Premium

**Tires and Wheels (Standard)**

Tires	Size (service description)		P215/65R16 All Season	P215/65R16 All Season	P235/55ZR17 All Season Performance
	Type (bias, radial, steel, nylon, etc)		Radial	Radial	Radial
	Inflation pressure (cold) for recommended max. vehicle load	Front kPa (psi)	241 (35)	241 (35)	221 (32)
		Rear kPa (psi)	241 (35)	241 (35)	221 (32)
	Rev./mile at 70 km/h (45 mph)				
Wheels	Type and material		Painted Cast Aluminum	Bright Machined Cast Al w/Chrome Spinner	Premium Painted Cast Aluminum 5-Spoke
	Rim (size & flange type)		16x7J	16x7J	17x8J
	Wheel offset mm (in)		39 (1.54)	39 (1.54)	45 (1.77)
	Attachment	Type (bolt or stud & nut)	stud & nut	stud & nut	stud & nut
		Circle diameter mm (in)	114.3 (4.5)	114.3 (4.5)	114.3 (4.5)
		Number & size	5, 1/2-20	5, 1/2-20	5, 1/2-20
Spare	Tire & Wheel		T155/70R17 17x4		T185/60R17 17x5
	Storage position & location (describe)		In trunk		

**Tires and Wheels - Optional**

Tire size (service description)			
Type (bias, radial, steel, nylon, etc)			
Wheel (type and material)		Bright Machined Cast Al w/Chrome Spinner	Bright Machined Cast Aluminum
Rim (size & flange type)		16x7J	17x8J
Wheel offset		39 (1.54)	45 (1.77)
Tire size (service description)			
Type (bias, radial, steel, nylon, etc)			
Wheel (type and material)			
Rim (size, flange type and offset)			
Tire size (service description)			
Type (bias, radial, steel, nylon, etc)			
Wheel (type and material)			
Rim (size, flange type and offset)			
Tire size (service description)			
Type (bias, radial, steel, nylon, etc)			
Wheel (type and material)			
Rim (size, flange type and offset)			
Spare tire and wheel size (if configuration is different than road tire or wheel, describe optional spare tire and/or wheel location and storage position)			

**Brakes - Parking**

Type of control		Hand operated, manually adjusted
Location of control		Center console next to shift lever
Operates on		Cable, mechanical force
If separate from service brakes	Type (internal or external)	Integrated in rear caliper
	Drum Diameter mm (in)	N/A
	Lining size mm (in) (length x width x thickness)	N/A

**Specifications**  
**METRIC (U.S. CUSTOMARY)**

Vehicle Line: Mustang Coupe

Model Year: 2005 Issued: 10/25/04 Revised (\*) N/A

**Model Code/Description And/Or  
 Engine Code/Description**

<b>Base</b>	<b>GT</b>
-------------	-----------

**Steering**

Manual (std., opt., n.a.)		N/A		
Power (std., opt., n.a.)		Standard		
Speed-sensitive (std., opt., n.a.)		N/A		
4-wheel steering (std., opt., n.a.)		N/A		
Adjustable steering wheel/column (tilt, telescope, other)	Type	Tilt		
	Manufacturer (std., opt., n.a.)	Presta		
Wheel diameter mm (in) (W9) SAE J1100		Manual	N/A	
		Power	379 (14.9)	
Turning Diameter m (ft.)	Outside Front	Wall to wall (l & r)	10.61 (34.81) 11.43 (37.5)	
		Curb to curb (l & r)	10.18 (33.40) 11.14 (36.55)	
	Inside Rear	Wall to wall (l & r)	N/A	
		Curb to curb (l & r)	N/A	
Scrub Radius* mm (in)		9.2 (.36)	2.9 (.11)	
Manual	Gear	Type	N/A	
		Manufacturer	-	
	Ratios	Gear	-	
		Overall	-	
No. wheel turns (stop to stop)		-		
Power	Type coaxial, elec., hyd., etc)		Hydraulic	
	Manufacturer		Visteon	
	Gear	Type	Rack and pinion	
		Ratios	Gear	44mm/rev
			Overall	15.642 :1
	Pump (drive)		Engine belt driven	
No. wheel turns (stop to stop)		3.13	2.83	
Linkage	Type		Two inner and outer tie rods	
	Location (front or rear of wheels, other)		Front	
	Tie rods (one or two)		Two inner and outer tie rods	
Inclination at camber (deg.)		15.6	15.6	
Steering Axis	Bearings (type)	Upper	Strut Mount	
		Lower	Ball Joint	
		Thrust	N/A	
Steering spindle / knuckles & joint type		1:8 taper joint		

\* The horizontal distance in the front elevation between wheel centerline and kingpin (ball joint) axis at ground.



Specifications  
METRIC (U.S. CUSTOMARY)

Vehicle Line: Mustang Coupe

Model Year: 2005 Issued: 10/25/04 Revised (\*) N/A

Model Code/Description And/Or  
Engine Code/Description

<b>All Models</b>
-------------------

**Wheel Alignment**

Front Wheel at curb mass (wt.)	Service checking	Caster (deg.)	7.10 +/- 0.50 (b)
		Camber (deg.)	-0.75 +/- 0.50 (b)
		Toe-in outside track (deg.)	0.1 +/- 0.2 (a)
	Service reset *	Caster (deg.)	7.10 +/- 0.75 (b)
		Camber (deg.)	-0.75 +/- 0.75 (b)
		Toe-in (deg.)	0.1 +/- 0.2 (a)
	Periodic M.V. inspection	Caster (deg.)	7.10 +/- 0.75 (b)
		Camber (deg.)	-0.75 +/- 0.75 (b)
		Toe-in (deg.)	0.1 +/- 0.2 (a)
Rear Wheel at curb mass (wt.)	Service checking	Camber (deg.)	N/A
		Toe-in outside track (deg.)	N/A
	Service reset *	Camber (deg.)	N/A
		Toe-in (deg.)	N/A
	Periodic M.V. inspection	Camber (deg.)	N/A
		Toe-in (deg.)	N/A

\* Indicates pre-set, adjustable, trend set or other.

a) Clearvision not to exceed +/- 3 degrees steering wheel angle.

b) Max caster and/or camber split not to exceed 0.70 deg.

**Electrical - Instruments and Equipment**

Speedometer	Type (analog, digital, std., opt.)	Analog, Standard 120 MPH / 200 KPH, GT 140 MPH / 240 KPH
	Trip odometer (std., opt., n.a.)	Standard / Vacuum Fluorescent (VF)
Head-Up Display	Standard optional, not available	
	Type	Secondary opto-electronic
	Speedometer	Digital
	Status / warning indicators	Turn signals, high beam, low fuel, check gauges
	Brightness control	Day / night mode, adjustable
EGR Maintenance Indicator		N/A
Charge Indicator	Type	90 degree Gauge, Optional
	Warning device (light, audible)	Warning Light, Standard
Temperature Indicator	Type	90 degree Gauge, Standard
	Warning device (light, audible)	Warning Light, Standard
Oil Pressure Indicator	Type	90 degree Gauge, Optional
	Warning device (light, audible)	Warning Light, Optional
Fuel Indicator	Type	90 degree Gauge, Standard
	Warning device (light, audible)	Low Fuel Warning Standard
Windshield Wiper	Type (standard)	Variable interval
	Type (optional)	
	Blade length mm (in)	550/500 (21.65/19.7) Driver/Passenger
Windshield Washer	Swept area cm <sup>2</sup> (in. <sup>2</sup> )	7467 (1157.4)
	Type (standard)	
	Type (optional)	
Fluid level indicator (light, audible)		N/A
Rear window wiper, wiper/washer (std., opt., n.a.)		
Horn	Type	
	Number used	
Other		

Specifications  
METRIC (U.S. CUSTOMARY)

Vehicle Line: Mustang Coupe

Model Year: 2005 Issued: 10/25/04 Revised (\*) N/A

Model Code/Description

<b>4.0L (SOHC)</b>	<b>GT 4.6L 3V</b>
--------------------	-----------------------

**Electrical - Supply System**

Battery	Manufacturer	JCI	JCI
	Model, std., (opt.)	Standard	Standard
	Voltage	12 Volt	12 Volt
	Amps at 0 °F cold crank	500	500
	Minutes-reserve capacity	90	90
	Amps/hrs.-20 hr. rate	52	52
Location		Left hand front of Engine Compartment	Left hand front of Engine Compartment
Alternator	Manufacturer	Visteon	Visteon
	Rating (idle/max.rpm)	82/135	82/135
	Ratio (alt. crank/rev.)	2.59	2.72
	Output at idle (rpm, park)	68A(650 RPM) 77A (700RPM)	85A(740 RPM) 65A(600RPM)
	Optional (type & rating)	N/A	N/A
Regulator	Type	Electronic - Integral with Alternator	Electronic - Integral with Alternator

**Electical - Starting System**

Motor	Manufacturer	Visteon	
	Current drain _____ °C (°F)	300-400 AMPS	300-400 AMPS
	Power rating kw (hp)	1.4 (1.9)	1.4 (1.9)
Motor Drive	Engagement type	Positive	
	Pinion engages from (front, rear)	Front, Conventional Axial Mount	

**Electrical - Ignition System**

Type	Electronic (std., opt., n.a.)	Standard DIS, Electronic Ignition System	Standard CoP, Electronic Ignition System	
	Other (specify)	N/A	N/A	
Coil	Manufacturer	Denso	Visteon (Ypsilanti)	
	Model	6-Tower DIS Ignition Coil 90TF-12029-A1A	Coil On Plug: 3L3E-12A366-CA	
	Current	Engine stopped - A	0 Amps	0 Amps.
		Engine idling - A	Peak Target 6.75 Amps	Peak Target 8.5 Amps
Spark plug	Manufacturer	Honeywell	Honeywell	
	Model	LH: AGSF-24PM, RH: AGS-24PGM	PZT-1F	
	Thread mm (in)	14 (.55)	16 (.63)	
	Tightening torque Nm (lb.-ft.)	9-20 (7-15)	30-38 (23-27)	
	Gap mm (in)	1.32-1.42 (.052-.056)	1.02-1.28 (.040-.050)	
Number per cylinder		1	1	
Distributor	Manufacturer	N/A	N/A	
	Model	N/A	N/A	

**Electric - Suppression**

Location and type	
-------------------	--

**Specifications**  
**METRIC (U.S. CUSTOMARY)**

Vehicle Line: Mustang Coupe

Model Year: 2005 Issued: 10/25/04 Revised (\*) N/A

**Model Code/Description**

<b>All Models</b>
-------------------

**Body**

Structure	Coupe: Unibody, high strength & dual phase metal
Bumper System Front - Rear	Ultra high strength steel front and rear bumpers
Anti-Corrosion Treatment	Coated metal/body e-coat

**Body - Miscellaneous Information**

Type of finish (lacquer, enamel, other)		
Hood	Mass kg (lb) & material	12.6 (27.71) Aluminum
	Hinge location (front, rear)	Rear
	Type (counterbalance, prop)	Prop
	Release control (internal, external)	Primary: internal; Secondary: external
Trunklid	Mass kg (lb) & material	11.0 (24.32) Steel
	Type (counterbalance, prop)	Gas struts
	Internal release control (elec., mech., n.a.)	Electric
Hatchback Lid	Mass kg (lb) & material	N/A
	Type (counterbalance, other)	-
	Internal release control (elec., mech., n.a.)	-
Tailgate	Mass kg (lb) & material	N/A
	Type (drop, lift door)	-
	Internal release control (elec., mech., n.a.)	-
Vent window control (crank, friction, pivot power)	Front	N/A
	Rear	N/A
Window regulator type - (cable, tape, flex drive, etc)	Front	Cable
	Rear	Cable
Seat cushion type (e.g., 60/40, bucket, bench, wire, foam, etc)	Front	Bucket, polyurethane foam, flat ("sinuous") spring suspension, stamped frame.
	Rear	2-passenger bench, polyurethane foam pad, polypropylene injection-molded frame.
	3rd seat	N/A
Seat back type (e.g. 60/40, bucket, bench, wire, foam, etc.)	Front	Bucket, polyurethane foam, stamped frame, power lumbar or fixed lumbar suspension (flex-mat attached to frame via springs).
	Rear	50/50 folding backs (coupe), fixed back (convertible), integral head restraints, blow-molded polyethylene frame.
	3rd seat	N/A

**Frame**

Type and description (separate frame, unitized frame, partially-unitized frame)	Unibody with front sub-frame to carry engine, suspension and steering
---	---

Specifications  
METRIC (U.S. CUSTOMARY)

Vehicle Line: Mustang Coupe

Model Year: 2005 Issued: 10/25/04 Revised (\*) N/A

Model Code/Description

<b>All Models</b>
-------------------

**Restraint System**

Seating Position			Left	Center	Right
Active	Type & description (lap & shoulder belt, lap belt, etc)  Standard/Optional	First Seat	3-Point Seatbelts w/ Front Seat Pretensioners	N/A	3-Point Seatbelts w/ Front Seat Pretensioners & ARL (Automatic Lock Retractors)
		Second Seat	3-Point Seatbelts & ARL (Automatic Lock Retractors)	N/A	3-Point Seatbelts & ARL (Automatic Lock Retractors)
		Third Seat	N/A	N/A	N/A
Passive	Type & description (air bag, motorized - 2-point belt, fixed belt, knee bolster, manual lap belt)  Standard/Optional	First Seat	Frontal Two-Stage Airbag, Standard Side Impact Airbags, Optional	N/A	Frontal Two-Stage Airbag, Standard Side Impact Airbags, Optional
		Second Seat	N/A	N/A	N/A
		Third Seat	N/A	N/A	N/A

**Supplemental Safety Items, not described above**

Personal Safety System™	Includes:
Belt-Minder <sup>®</sup> System	
Structure (door beams, etc)	

Glass	SAE Ref. No			
Windshield glass exposed surface area cm <sup>2</sup> (in <sup>2</sup> )	S1	10926.45 (1693.6)	3297.4 (511.1)	Painted
Side glass exposed surface area cm <sup>2</sup> (in <sup>2</sup> ) total 2-sides	S2	3829.8 (593.62)		
Backlight glass exposed surface area cm <sup>2</sup> (in <sup>2</sup> )	S3	1787.1 (277.0)		
Total glass exposed surface area cm <sup>2</sup> (in <sup>2</sup> )	S4	16543.35 (2564.22)		
Windshield glass thickness mm (in), type		5.2 +/- .1 (.205 +/- .004)		
Side glass thickness mm (in), type		3.4 +/- .1 (.134 +/- .004)		
Backlight glass thickness mm (in), type		3.4 +/- .1 (.134 +/- .004)		
Tinted (yes/no, location)		Yes, solar lite (windshield)		
Solar control (yes/no, coated/batched, location)		No		

**Headlamps**

Description (sealed beam, halogen, replaceable bulb, etc)	Dual beam replaceable halogen
Shape	Round
Lo-beam type (2A1m 2B1m 2C1m etc)	Replaceable bulb headlamp system - H13 bulb
Quantity	2 (1 LH, 1 RH)
Hi-beam type (1A1, 2A1, 1C1, 2C1, etc.)	Replaceable bulb headlamp system - H13 bulb
Quantity	2 (1 LH, 1 RH)

Specifications  
METRIC (U.S. CUSTOMARY)

Vehicle Line: Mustang Coupe

Model Year: 2005 Issued: 10/25/04 Revised (\*) N/A

Engine Code/Description

All Models	
4.0L	4.6L

**Climate Control System**

Air conditioning (std., opt., man., auto.)		Standard, manual	
Condenser	Type	6mm Tube and Fin	
	Eff. face area mm <sup>2</sup> (in <sup>2</sup> )	267,072 (414.0)	
	Fins per decimeter (in)	70.8 (18.0)	
Evaporator	Type	Plate and Fin (58mm thick)	
	Eff. face area mm <sup>2</sup> (in <sup>2</sup> )	61,423 (95.2)	
	Fins per decimeter (in)	63 (16.0)	
Heater Core	Material	Aluminum	
	Eff. face area mm <sup>2</sup> (in <sup>2</sup> )	35,685 (55.3)	
	Fins per decimeter (in)	102.4 (26.0)	
Compressor	Type	FS10	
	Displacement cc (in <sup>3</sup> )	170 (10.4)	
	Manufacturer	Visteon	
	A/C pulley ratio	1.29	1.47
Accumulator	Type	Steel	
	Height mm (in)	213 (8.4)	
	Diameter mm (in)	89 (3.5)	
Receiver	Type	N/A	
	Height mm (in)	N/A	
	Diameter mm (in)	N/A	
Refrigerant control (CCOT, TVS, etc)		CCOT	
Heater water valve (yes/no)		No	
Refrigerant (R - 12, R - 134a, etc)		R134a	
Charge level (lbs. - oz.)		31oz	
Cold engine lockout switch (yes/no)		No	
Wide open throttle cutout switch (yes/no)		Yes	

Specifications  
METRIC (U.S. CUSTOMARY)

Vehicle Line: Mustang Coupe

Model Year: 2005 Issued: 10/25/04 Revised (\*) N/A

Engine Code/Description

<b>All Models</b>
-------------------

**Convenience Equipment (standard, optional, n.a.)**

Clock (digital, analog)		Digital, in clock
Compass / thermometer		N/A
Console (floor, overhead)		Center console w/armrest & storage
Defroster, electric windshield		N/A
Defroster, electric backlight		Standard
Electronic	Diagnostic monitor (integrated, individual)	
	Instrument cluster (list instruments)	
	Keyless Entry	Remote keyless entry
	Tripminder (avg. spd., fuel)	
	Voice alert (list items)	
	Other	
	Interior Decklid Release	N/A
Fuel door lock (remote, key, electric)		N/A
Integrated Child Seating	Std./opt. & location in vehicle	Lower Anchors and Tethers for CHildren (LATCH) on rear outboard seats
	Number of occupants	2 in the rear seat
	Occupant weight/height (min. & max)	
	Restraint system description (3 or 5-point belts/booster seat capability)	3-point
Lamps	Auto head on/off delay, dimming	N/A
	Cornering	N/A
	Courtesy (map, reading)	Dome (Coupe only)
	Door lock, ignition	N/A
	Engine compartment	N/A
	Fog	Standard on GT, N/A on V6
	Glove compartment	None
	Trunk	Standard
	Illuminated entry system (list lamps, activation)	Standard, interior illumination (via map lights) upon remote unlock
Other		
Mirrors	Day / night (auto., man.)	N/A
	L.H. (remote, power, heated)	Power
	R.H. (convex, remote, power, heated)	Power
	Visor vanity (RH / LH, illuminated)	RH & LH, Not illuminated
Navigation System (describe)		N/A
Parking Brake - auto release (warning light)		

**Specifications**  
**METRIC (U.S. CUSTOMARY)**

Vehicle Line: Mustang Coupe

Model Year: 2005 Issued: 10/25/04 Revised (\*) N/A

Engine Code/Description

<b>All Models</b>
-------------------

**Convenience Equipment (standard, optional, n.a.)**

Power Equipment	Deck lid (release, pull down)		Remote release
	Door locks (manual, automatic, describe system).		Power
	Seats	2 - 4 - 6 way, etc	6-way power driver (Standard, V6 Premium/GT; Optional V6 Deluxe)
		Reclining (R.H., L.H.)	
		Memory (R.H., L.H. preset recline)	N/A
		Support (lumbar, hip, thigh, etc)	Power driver: Standard, V6 Premium/GT; Optional V6 Deluxe
		Heated (R.H., L.H., other)	N/A
	Side Windows		Power, one-touch down/up driver
Vent Windows		N/A	
Rear Windows			
Radio Systems	Antenna (location, whip, w/shield, power)		
	Standard	AM, FM., stereo, tape, compact disc, graphic equalizer, theft deterrent, radio prep package, headphone jacks, etc.	Premium AM/FM Stereo/Single CD: V6/GT Deluxe Shaker 500 Audio System (AM/FM Stereo/6-disc CD/MP3 capable, 6 speakers): V6/GT Premium
	Optional		Shaker 500 Audio System: V6/GT Deluxe Shaker 1000 Audio System (AM/FM Stereo/in-dash 6-disc CD/MP3 capable, 9 Audiophile speakers): V6 Premium/GT
	Speaker (number, location)		
Roof: open air or fixed (flip-up, sliding, "T")		Fixed: Coupe	
Speed control device		Standard	
Speed warning device (light, buzzer, etc)			
Tachometer (rpm)			
Telephone system (describe)			
Theft deterrent system		Active Anti-theft System (Optional)	

**Trailer Towing**

Towing capable	Yes / No	Yes
Engine/transmission/axle	Std. / Opt.	V6 or V8
Tow Class (I, II, III) *	Std. / Opt.	Class I
Max. gross trailer weight kg (lbs)	Std. / Opt.	453.6 (1000)
Max. trailer tongue load kg (lbs)	Std. / Opt.	45.4 (100)
Towing package available	Yes / No	No

\* Class I - 2,000 lbs. Class II - 3,500 lbs. Class III - 5,000 lbs

**Specifications**  
**METRIC (U.S. CUSTOMARY)**

Vehicle Line: Mustang Coupe

**Vehicle Dimensions**

Model Year: 2005 Issued: 10/25/04 Revised (\*) N/A

See Key Sheets for Definitions.

All dimensions to ground are for comparative purposes only. Dimensions are to be shown for all base body models of each vehicle line. SAE Ref. No refers to the definition published in SAE Recommended Practice J1100 "Motor Vehicle Dimensions" unless otherwise specified.

**Model Code/Description**

V6 Coupe	V8 Coupe	V6 Convertible	V8 Convertible
----------	----------	----------------	----------------

**Width**

SAE Ref. No.

Convertible to be added when available to public

	SAE Ref. No.	V6 Coupe	V8 Coupe
Tread (front)	W101	1594 (62.8)	1582 (62.3)
Tread (rear)	W102	1600 (63.0)	1588 (62.5)
Vehicle Width (exc. Mirrors)	W103	1877 (73.9)	
Vehicle Width (inc. Mirrors)	W410	2014 (79.3)	
Vehicle Width (front doors open)	W120	4045 (159.3)	
Vehicle Width (rear doors open)	W121	N/A	
Tumble-home	W122	24.0	

**Length**

	SAE Ref. No.	V6 Coupe	V8 Coupe
Wheelbase	L101	2720 (107.1)	
Vehicle Length	L103	4766 (187.6)	4775 (188.0)
Overhang (front)	L104	925 (36.4)	934 (36.8)
Overhang (rear)	L105	1121 (44.1)	

**Height**

	SAE Ref. No.	V6 Coupe	V8 Coupe
Vehicle height (Curb)	H101C	1407 (55.4)	
Step Height (Front, Curb)	H130		
Step Height (Rear, Curb)	H131		
Cowl point to ground (Curb)	H114	998 (39.3)	
Deck point to ground (Curb)	H138	1050 (41.3)	
Windshield slope angle (degrees)	H122	61.0	
Backlight slope angle (degrees)	H121	69.0	

**Ground Clearance \***

	SAE Ref. No.	V6 Coupe	V8 Coupe
Passenger distribution (front/rear)	PD1, 2, 3	2/1	
Trunk / cargo load		0	
Front bumper to ground (Design)	H102	182 (7.2)	174 (6.9)
Rear bumper to ground (Design)	H104	273 (10.7)	221 (8.7)
Front bumper to ground (Curb)	H103	193 (7.6)	187 (7.4)
Rear bumper to ground (Curb)	H105	304 (12.0)	255 (10.0)
Angle of approach (degrees, Design)	H106	15.0	16.0
Angle of departure (degrees, Design)	H107	17.0	16.0
Ramp breakover angle (degrees, Design)	H147		
Ramp breakover angle (degrees, Curb)	H147C	20.5	
Axle differential to ground (front/rear, Design)	H153		
Axle differential to ground (front/rear, Curb)	H153C	161 (6.3)	
Min. running ground clr. (Design)	H156		
Min. running ground clr. (Curb)	H156C	146 (5.7)	
Location of min. run. grd. clearance.			

\*Vehicle ground clearances are measured at Curb or the Manufacturer's Design Load Weight. Manufacturer's Design Load Weight is defined with indicated passenger distribution and trunk/cargo load, unless otherwise specified.

All linear dimensions are in millimeters (inches) unless otherwise noted.



Specifications  
METRIC (U.S. CUSTOMARY)

Vehicle Line: Mustang Coupe

Vehicle Dimensions

Model Year: 2005 Issued: 10/25/04 Revised (\*) N/A

See Key Sheets for Definitions.

Model Code/Description

V6 Coupe	V8 Coupe	V6 Convertible	V8 Convertible
----------	----------	----------------	----------------

Front Compartment

SAE Ref. No.

Convertible to be added when available to public

SgRP to Front Wheel C/L	L114	
Effective head room	H61	980 (38.6)
Max. Effective leg room (to accelerator)	L34	1085 (42.7)
SgRP to heel point	H30	196 (7.7)
SgRP to heel point	L53	898 (35.4)
Back angle (degrees)	L40	24.0
Hip angle (degrees)	L42	95.0
Knee angle (degrees)	L44	130.0
Foot angle (degrees)	L46	87.0
Shoulder room	W3	1406 (55.4)
Hip room	W5	1361 (53.6)
Design H-point front travel	TL17	
Normal driving & riding seat track travel	TL23	
Steering wheel max. diameter*	W9	379 (14.9)
Steering wheel angle (degrees)	H18	22.0
Accel Heel Point to steering wheel center	H17	597 (23.5)
Accel Heel Point to steering wheel center	L11	515 (20.3)
Upper Body Opening to Ground (front, Curb)	H50	1234 (48.6)
Depressed floor covering thickness	H68	38 (1.5)

Rear Compartment

SgRP point couple distance	L50	693 (27.3)
Effective head room	H63	882 (34.7)
Min. Effective leg room	L51	769 (30.3)
SgRP to heel point (second)	H31	297 (11.7)
Back angle (degrees)	L41	30.0
Hip angle (degrees)	L43	85.0
Knee angle (degrees)	L45	69.0
Foot angle (degrees)	L47	107.0
Shoulder room	W4	1356 (53.4)
Hip room	W6	1188 (46.8)
Knee clearance	L48	-97 (-3.8)
Upper Body Opening to Ground (rear, Curb)	H51	N/A
Depressed floor covering thickness	H73	12 (0.5)

Third Seat

Not Applicable

Seat facing direction	SD1	
SgRP couple distance	L85	
Effective head room	H86	
Min. Effective leg room	L86	
SgRP to heel point	H87	
Back angle (degees)	L88	
Hip angle (degrees)	L89	
Knee angle (degrees)	L90	
Foot angle (degrees)	L91	
Shoulder room	W85	
Hip room	W86	
Knee clearance	L87	

All linear dimensions are in millimeters (inches) unless otherwise noted.

\*see p14

Specifications  
METRIC (U.S. CUSTOMARY)  
**Vehicle Dimensions**

Vehicle Line: Mustang Coupe

Model Year: 2005 Issued: 10/25/04 Revised (\*) N/A

See Key Sheets for Definitions.

Model Code/Description	V6 Coupe	V8 Coupe	V6 Convertible	V8 Convertible
<b>Cargo Space</b>	SAE Ref. No. <span style="float: right;">Convertible to be added when available to public</span>			
Cargo length at floor (open front)	L200	N/A		
Cargo length at floor (open second)	L201	N/A		
Cargo length at floor (closed front)	L202	N/A		
Cargo length at floor (closed second)	L203	N/A		
Cargo length at floor (closed third)	L509	N/A		
Cargo length at belt (front)	L204	N/A		
Cargo length at belt (second)	L205	N/A		
Cargo length at belt (third)	L510	N/A		
Cargo length at top of seatback (front, Hatchback)	L208	N/A		
Cargo length at top of seatback (second, Hatchback)	L210	N/A		
Cargo length at floor (front, Hatchback)	L209	N/A		
Cargo length at floor (second, Hatchback)	L211	N/A		
Cargo width (wheelhouse)	W201	N/A		
Cargo width at floor (max)	W500	N/A		
Rear opening width at floor	W203	N/A		
Rear opening width at belt	W204	N/A		
Min Rear opening width above belt	W205	N/A		
Cargo height (Rear Wheel C/L)	H201	N/A		
Cargo height (max behind front seat)	H505	N/A		
Rear opening height	H202	N/A		
Seatback to load floor height (front)	H197	N/A		
Seatback to load floor height (second)	H198	N/A		
Seatback to load floor height (third)	H199	N/A		
Tailgate to Ground (Curb)	H250	N/A		
Liftgate to Ground (Curb)	H251	N/A		
Liftover Height (Design)	H195	753 (29.6)		
Liftover Height (Curb)	H196			

**Interior Volumes (EPA Classification)**

Vehicle class	SubCompact
Interior volume index including trunk/cargo (ft <sup>3</sup> ) **	(97.9)
Trunk/cargo index (ft <sup>3</sup> )	

**Cargo Volumes L(ft<sup>3</sup>)**

Sedans only

Luggage capacity	V1	(13.1)
Hidden Luggage Capacity behind front seat	V4	N/A
CVI <sup>^</sup> -behind front seat (Station Wagon)	V2	N/A
CVI <sup>^</sup> -behind 2nd seat (Station Wagon)	V10	N/A
CVI <sup>^</sup> -behind/below front seat (Hatchback)	V3	N/A
CVI <sup>^</sup> -behind/below 2nd seat (Hatchback)	V11	N/A
CVI <sup>^</sup> -behind front seat (MPV*)	V6	N/A
CVI <sup>^</sup> -behind 2nd seat (MPV)	V7	N/A
CVI <sup>^</sup> -behind 3rd seat (MPV)	V9	N/A

All linear dimensions are in millimeters (inches) unless otherwise noted.

\*MPV = Multipurpose Vehicle

<sup>^</sup>CVI= Cargo Volume Index

\*\* See definition p33

V1 determined by "luggage stack" and is only shown in ft<sup>3</sup>

Interior volume index uses V1 and is only shown in ft<sup>3</sup>

Specifications  
 METRIC (U.S. CUSTOMARY)  
**Vehicle Dimensions**

Vehicle Line: Mustang Coupe

Model Year: 2005 Issued: 10/25/04 Revised (\*) N/A

See Key Sheets for Definitions.

Model Code / Description

--

**Vehicle Fiducial Marks**

Fiducial Mark	Number *	Define Coordinate Location
Front (1)		
Front (2)		
Rear (1)		
Rear (2)		
<b>Note: Provide 3 of 4 Fiducial Mark Locations</b>		
Front	W21 **	
	L54 **	
	H81 **	
	H161 **	
	H163 **	
Rear	W22 **	
	L55 **	
	H82 **	
	H162 **	
	H164 **	

\* Reference - SAE Recommended Practice, J182a, Motor Vehicle Fiducial Marks.

\*\* Reference - SAE Recommended Practice, J1100 - Motor Vehicle Dimensions  
 All linear dimensions are in millimeters (inches) unless otherwise noted.

Specifications  
METRIC (U.S. CUSTOMARY)

Vehicle Line: Mustang Coupe

Model Year: 2005 Issued: 10/25/04 Revised (\*) N/A

Code	Model	VEHICLE MASS (weight)				% PASS MASS DISTRIBUTION				
		Curb Mass, kg. (lb)*			Shipping Mass kg(lb) ***	ETWC ** Code	Pass in Front		Pass in Rear	
		Front	Rear	Total			Front	Rear	Front	Rear
<b>4.0L 2V V6, 5-Speed Manual Transmission</b>										
110A	T80	827	693	1520	1462	V	43	57	17	83
	Mustang Coupe Deluxe	(1824)	(1528)	(3352)	(3223)					
120A	T80	831	699	1529	1471	V	43	57	17	83
	Mustang Coupe Premium	(1831)	(1540)	(3371)	(3242)					
<b>4.6L 3V V8, 5-Speed Manual Transmission</b>										
130A	T82	850	732	1582	1522	W	43	57	17	83
	Mustang GT Coupe Deluxe	(1873)	(1614)	(3487)	(3356)					
140A	T82	853	738	1590	1531	W	43	57	17	83
	Mustang GT Coupe Premium	(1880)	(1626)	(3506)	(3375)					

\* Reference - SAE J1100 Motor vehicles dimensions, curb weight definition

\*\* ETWC - Equivalent Test Weight Class - basis for U. S. Environmental Protection Agency emission certifications  
Refer to ETWC code legend below for test weight class.

ETWC LEGEND

A = 1000	I = 2000	Q = 3000	Y = 4000
B = 1125	J = 2125	R = 3125	Z = 4250
C = 1250	K = 2250	S = 3250	AA = 4500
D = 1375	L = 2375	T = 3375	BB = 4750
E = 1500	M = 2500	U = 3500	CC = 5000
F = 1625	N = 2625	V = 3625	DD = 5250
G = 1750	O = 2750	W = 3750	EE = 5500
H = 1875	P = 2875	X = 3875	FF = 5750

\*\*\* Shipping Mass (weight) = Curb Weight Less:

58.5 (129)	4.0L Engine
59.4 (131)	4.6L Engine

**Specifications**  
**METRIC (U.S. CUSTOMARY)**

Vehicle Line: Mustang Coupe

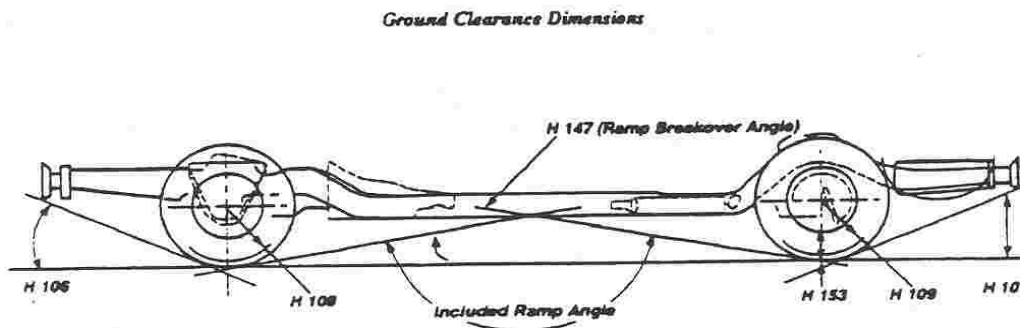
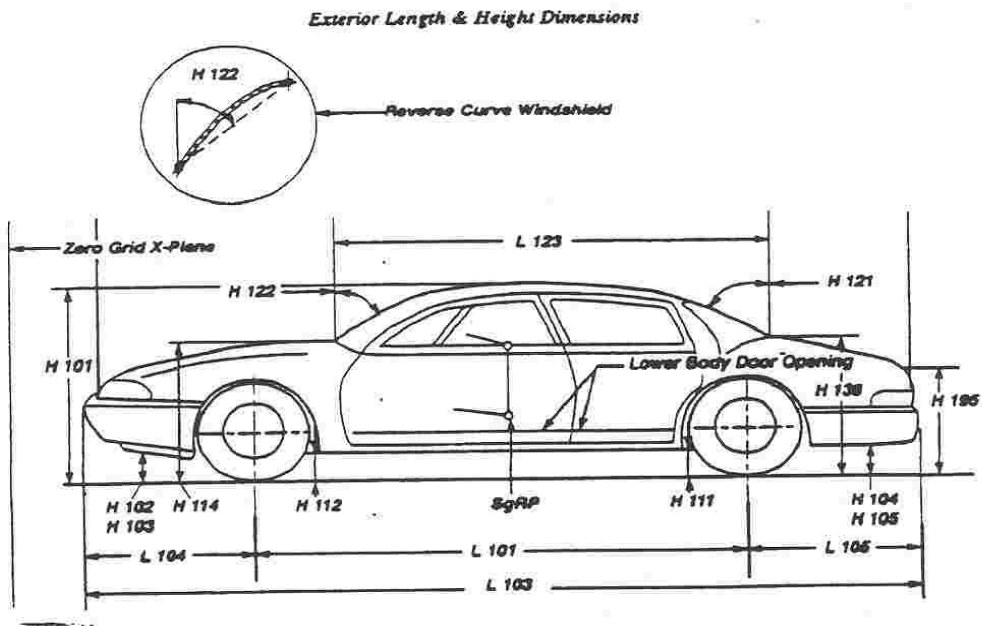
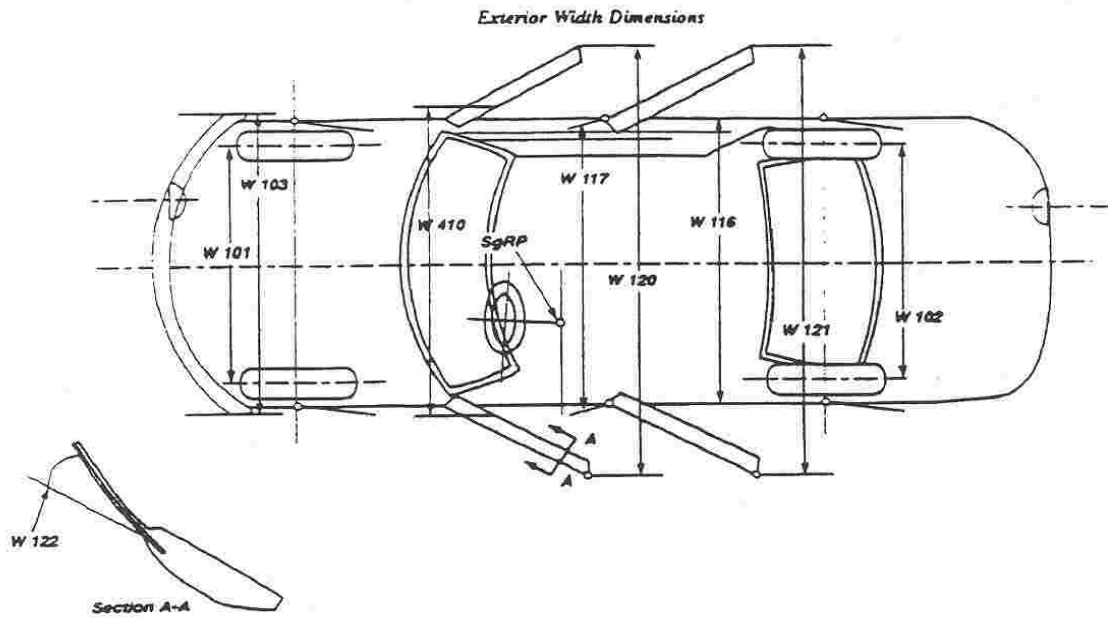
Model Year: 2005 Issued: 10/25/04 Revised (\*) N/A

		<b>Optional Equipment Different Mass (weight) *</b>			
<b>Code</b>	<b>Equipment</b>	<b>MASS, kg (lb)</b>			<b>Remarks Restrictions, Requirements</b>
		<b>Front</b>	<b>Rear</b>	<b>Total</b>	
552	Anti-Lock Brake System	3.7 (8.2)	0.4 (0.8)	4.1 (9.0)	V6 Coupe only
14A	Active Anti-Theft System (incl. perimeter inclination and intrusion alarms)	0.1 (0.3)	0.1 (0.2)	0.2 (0.5)	
44L	5R55S 5-Speed Automatic Transmission	14.2 (31.3)	6.7 (14.7)	20.9 (46.0)	V6 Coupe only
44L	5R55S 5-Speed Automatic Transmission	14.5 (31.9)	3.7 (8.1)	18.1 (40.0)	GT Coupe only
43A	Front Seat Side-mounted Airbags	0.6 (1.3)	1.3 (2.8)	1.9 (4.1)	Req. 18G Interior Upgrade Pkg
18G	Interior Upgrade Package	0.7 (1.5)	0.2 (0.5)	0.9 (2.0)	
912	Shaker 500 Audio System	2.6 (5.8)	4.1 (9.1)	6.7 (14.9)	Deluxe only
918	Shaker 1000 Audio System	0.0 (0)	33.1 (73)	33.1 (73.0)	N/A V6 Coupe Deluxe
21A	6-way Power Adjustable Driver Seat	0.7 (1.6)	1.1 (2.4)	1.8 (4.0)	V6 Coupe Deluxe only
64T	16" Bright Machined Cast Aluminum w/ Chrome Spinner	0.1 (0.3)	0.1 (0.3)	0.3 (0.6)	V6 Coupe only
64D	17" Bright Machined Cast Aluminum	0.0 (0.0)	0.0 (0.0)	0.0 0.0	GT Coupe only
13D/54V	Spoiler	-0.7 (-1.6)	2.9 (6.4)	2.2 (4.8)	Delete option on GT, part of pkg 54V on V6 Coupe
J/K	Leather Seating Surfaces	0.6 (1.4)	1.6 (3.6)	2.3 (5.0)	
	Medium Duty Battery	2.1 (4.6)	0.4 (0.8)	2.4 (5.4)	Required with Active Anti-Theft and/or Shaker 1000 Audio System

\* Also see Engine - General Section for dressed engine mass (weight)

# Specifications METRIC

## Exterior Vehicle And Body Dimensions - Key Sheet

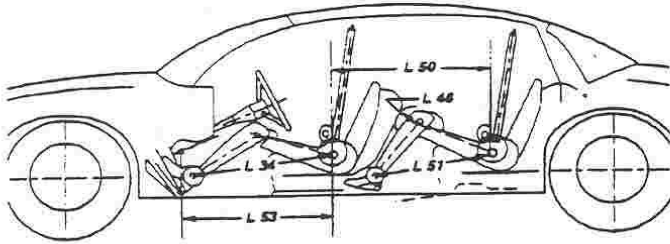


# Specifications

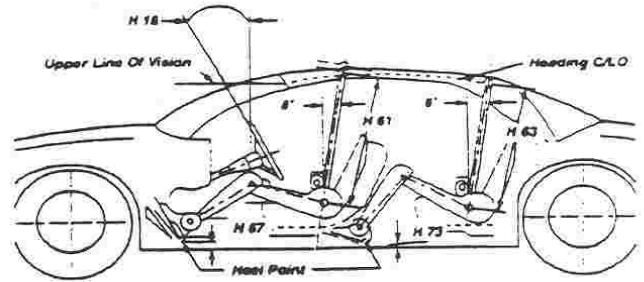
## METRIC

### Interior Vehicle And Body Dimensions - Key Sheet

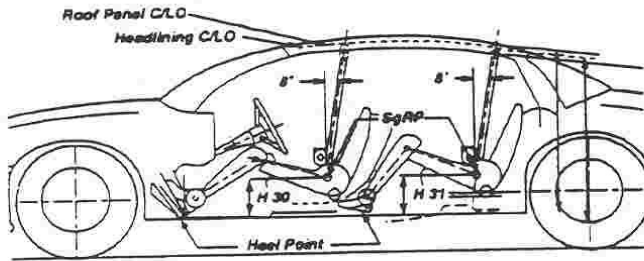
Interior Length Dimensions



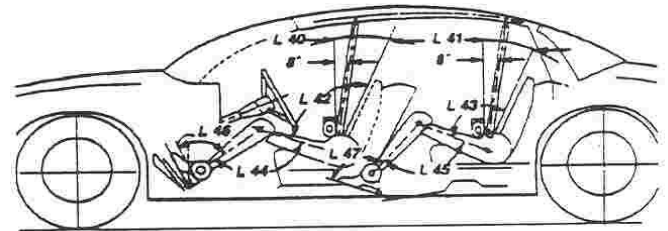
Interior Height Dimensions



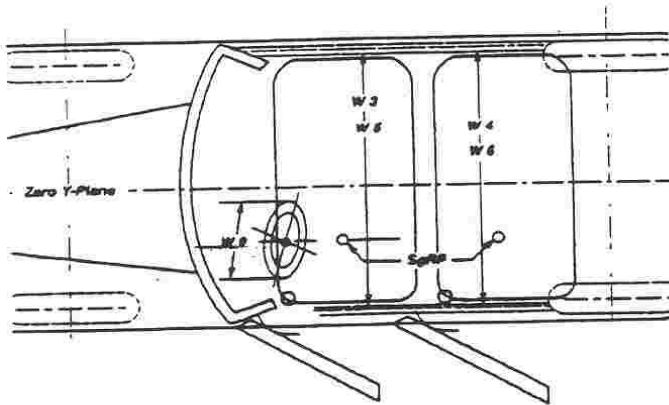
Interior Height Dimensions



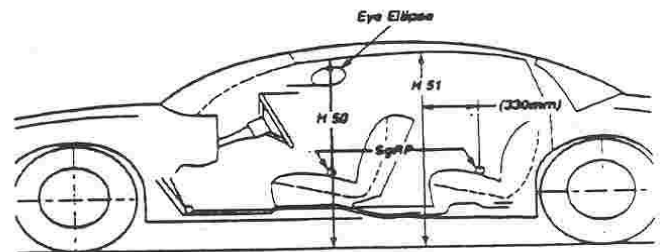
Interior Length Dimensions



Interior Width Dimensions



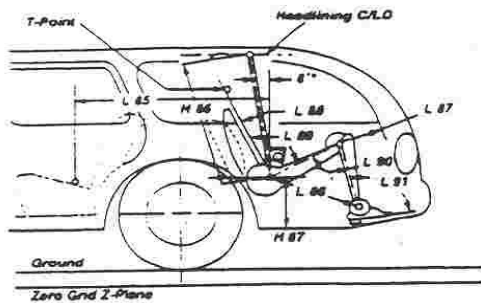
Interior Height Dimensions



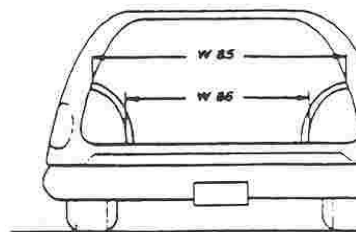
# Specifications METRIC

## Interior Vehicle And Body Dimensions - Key Sheet

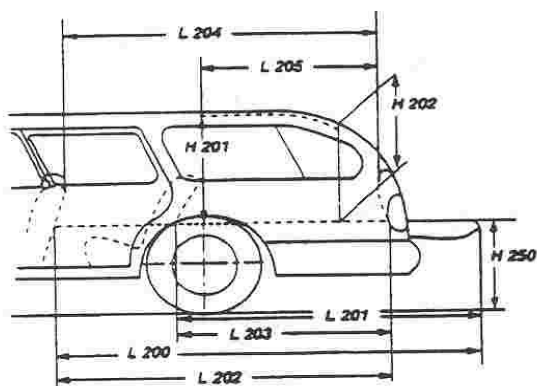
*Interior Dimensions, Station Wagon Third Seat*



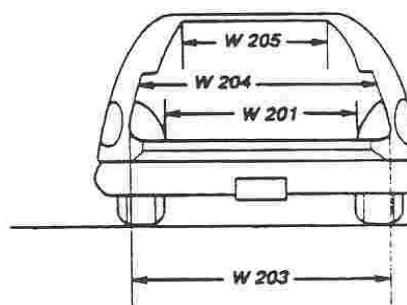
*Interior Dimensions*



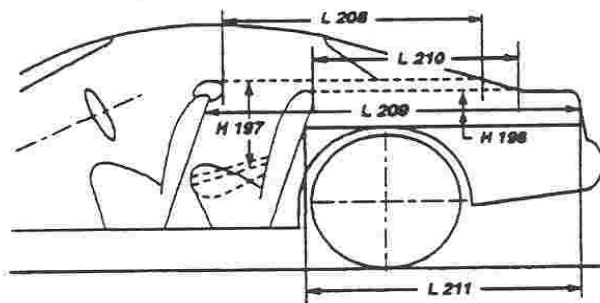
*Cargo Space Dimensions*



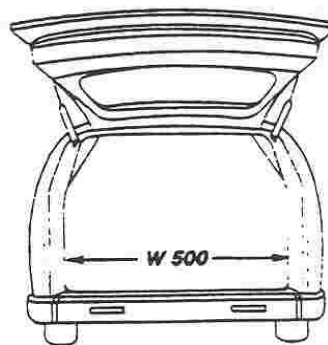
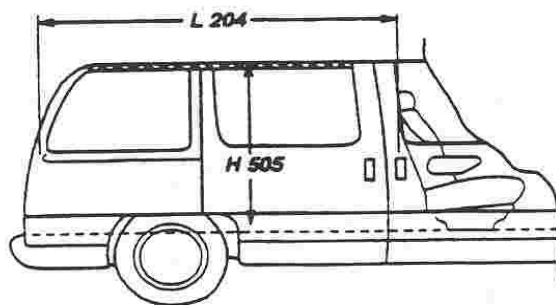
*Cargo Space Dimensions*



*Cargo Space Dimensions*



*Multipurpose Vehicle Cargo Space*





# Specifications

## METRIC

### Exterior Vehicle And Body Dimensions - Key Sheet Dimensions Definitions

#### Seating Reference Point

SEATING REFERENCE POINT means the manufacturer's design reference point which -

- (a) Establishes the rearmost normal design driving or riding position of each designated seating position in a vehicle;
- (b) Has coordinates established relative to the design vehicle structure;
- (c) Simulates the position of the pivot center of the human torso and thigh; and
- (d) is the reference point employed to position the two dimensional templates described in SAE Recommended Practice J826, "Devices for Use in Defining and Measuring Vehicle Seating Accommodations,".

#### Width Dimensions

- W101 TREAD-FRONT. The dimension measured between the tire centerlines at the ground.
- W102 TREAD-REAR. The dimension measured between the tire centerlines at the ground. In case of dual wheels, the dimension will be measured to the centerline of tire and wheel assemblies.
- W103 VEHICLE WIDTH. The maximum dimension measured between the widest point on the vehicle, excluding exterior mirrors, flexible mud flaps, marker lamps, but including bumpers, moldings, sheet metal protrusions or dual wheels, if standard equipment.
- W117 BODY WIDTH AT SgRP-FRONT. The dimension measured laterally between the widest points on the body at the SGRP-front, excluding door handles, applied moldings, or appliques.
- W120 VEHICLE WIDTH-FRONT DOORS OPEN. The dimension measured between the widest point on the rear doors in maximum hold-open position.
- W121 VEHICLE WIDTH-REAR DOORS OPEN. The dimension measured between the widest point on the rear doors in maximum hold-open position. For vehicles with a rear door on only one side, this dimension is to the zero "Y" plane.
- W122 TUMBLE-HOME. STRAIGHT SIDE GLASS. The angle measured from a vertical to the outside surface of the front door glass at the SgRP "X" plane.  
CURVED SIDE GLASS. The angle measured from a vertical to a chord extending from the upper DLO to the lower DLO at the outside surface of the front door glass at the front SgRP "X" plane.
- W410 OUTSIDE MIRROR WIDTH: The dimension between the widest point on the outside mirrors. The standard right and left mirror adjusted for normal driving will be shown unless otherwise noted. When only one outside mirror is standard, the dimension will be to the zero "Y" plane.

#### Length Dimensions

- L101 WHEELBASE (WB). The dimension measured longitudinally between front and rear wheel centerline. In case of dual rear axles, the dimension shall be to the midpoint of the centerlines of the rear wheels.
- L103 VEHICLE LENGTH. The maximum dimension measured longitudinally between the foremost point and the rearmost point on the vehicle, including bumper, bumper guards, tow hooks and/or rub strips, if standard equipment.
- L104 OVERHANG-FRONT. The dimension measured longitudinally from the centerline of the front wheels to the foremost point on the vehicle including bumper, bumper guards, tow hook and/or rub strips, if standard equipment.
- L105 OVERHANG-REAR. The dimension measured longitudinally from the centerline of the rear wheels; or in the case of dual rear axles, the dimension shall be the midpoint of the centerlines of the rear wheels, to the rearmost point on the vehicle including rear bumpers, bumper guards, tow hooks and rub strips, if standard equipment.

- L123 UPPER STRUCTURE LENGTH. The dimension measured longitudinally from the cowl point to the deck point.
- L127 REAR WHEEL CENTERLINE "X" COORDINATE or in the case of dual rear axles, the coordinate shall be the midpoint of the distance between the rear axle centerlines.

#### Height Dimensions

- H101 VEHICLE HEIGHT. The dimension measured vertically from the highest point on the vehicle body to ground.
- H111 ROCKER PANEL-REAR TO GROUND. The dimension measured vertically from the bottom of the rocker or side quarter panel at the front of the rear wheel opening, excluding flanges, to ground.
- H112 ROCKER PANEL-FRONT TO GROUND. The dimension measured vertically from the foremost point on the bottom of the rocker panels, excluding flanges, to ground.
- H114 COWL POINT TO GROUND. Measured at zero "Y" plane.
- H121 BACKLIGHT SLOPE ANGLE. The angle between the vertical reference line and the surface of backlight at vehicle zero "Y" plane. For curve backlight, the angle is to chord of backlight arc from lower DLO to upper DLO.
- H122 WINDSHIELD SLOPE ANGLE. The angle between the vertical reference line and a chord of the windshield arc running from the lower DLO to the upper DLO at the vehicle zero "Y" plane. In the case of wrap over glass, the angle to be measured will be formed by a chord 457 mm (18.0 in.) long drawn from the lower DLO to the intersecting point on the windshield.
- H138 DECK POINT TO GROUND. Measured at zero "Y" plane.
- H109 STATICLOAD-TIRE RADIUS-REAR. Specified by the manufacturer in accordance with composite TIRE SECTION STANDARD.

#### Ground Clearance Dimensions

- H102 FRONT BUMPER TO GROUND. The minimum dimension measured vertically from the lowest point on the front bumper to ground, including bumper guards, if standard equipment.
- H103 FRONT BUMPER TO GROUND-CURBMASS(WT.). Measured in the same manner as H102.
- H104 REAR BUMPER TO GROUND. The minimum dimension measured vertically from the lowest point on the rear bumper to ground, including bumper guards, if standard equipment.
- H105 REAR BUMPER TO GROUND-CURB MASS(WT.). Measured in the same manner as H104.
- H106 ANGLE OF APPROACH. The angle measured between a line tangent to the front tire static loaded radius arc and the initial point of structural interference forward of the front tire to ground. The limiting structural component shall be designated.
- H107 ANGLE OF DEPARTURE. The angle measured between a line tangent to the rear tire static loaded radius arc and the initial point of structural interference rearward of the rear tire to ground. The limiting component shall be designated.
- H147 RAMP BREAKOVER ANGLE. The angle measured between two lines tangent to the front and rear tire static loaded radius and intersecting at a point on the underside of the vehicle which defines the largest ramp over which the vehicle can roll.
- H153 REAR AXLE DIFFERENTIAL TO GROUND. The minimum dimension measured from the rear axle differential to ground.
- H156 MINIMUM RUNNING GROUND CLEARANCE. The minimum dimension measured from the sprung vehicle to ground. Specify location.

# Specifications

## METRIC

### Interior Vehicle And Body Dimensions - Key Sheet

#### Dimensions Definitions

##### Glass Areas

S1	Windshield area.
S2	Side windows area. Includes the front door, rear door, vents, and rear quarter windows on both sides of the vehicle.
S3	Backlight areas.
S4	Total area. Total of all areas (S1 + S2 + S3).

##### Fiducial Mark Dimensions

<b>Fiducial Mark - Number 1</b>	
L54	"X" coordinate.
W21	"Y" coordinate.
H81	"Z" coordinate.
H161	Height "Z" coordinate to ground at curb weight.
H163	Height "Z" coordinate to ground.
<b>Fiducial Mark - Number 2</b>	
L55	"X" coordinate.
W22	"Y" coordinate.
H82	"Z" coordinate.
H162	Height "Z" coordinate to ground at curb weight.
H164	Height "Z" coordinate to ground.

##### Front Compartment Dimensions

L11	ACCELERATOR WHEEL POINT TO STEERING WHEEL CENTER. The dimension measured horizontally from the AHP to the intersection of the steering column centerline and a plane tangent to the upper surface of the steering wheel rim.
L17	DESIGN-H-POINT-FRONT TRAVEL. The dimension measured horizontally between the design H-point-front in the foremost and rearmost seat track positions. (See SAE J1100)
L23	NORMAL DRIVING AND RIDING SEAT TRACK TRAVEL. The dimension measured horizontally between a point on the design H-point travel line from the SgRP to the displaced point on the design H-point travel line with the seat moved to the foremost seat position, but not to include seat track travel used for purposes other than normal driving and riding positions. (See SAE J1100).
L31	SgRP-Front. "X" Coordinated.
L34	MAXIMUM EFFECTIVE LEG ROOM-ACCELERATOR. The dimension measured along a line from the ankle pivot center to the SgRP-front plus 254 mm (10.0 in.) measured with right foot on the underdepressed accelerator pedal. For vehicles with SgRP to heel (H30) greater than 18 in., the accelerator pedal may be depressed as specified by the manufacturer. If the accelerator is depressed, the manufacturer shall place foot flat on pedal and note the depression of the pedal.
L40	BACK ANGLE-FRONT. The angle measured between a vertical line through the SgRP-front and the torso line. If the seatback is adjustable, use the normal driving and riding position specified by the manufacturer.
L42	HIP ANGLE-FRONT. The angle measured between torso line and thigh centerline.
L44	KNEE ANGLE-FRONT. The angle measured between thigh centerline and lower leg centerline measured on the right leg.
L46	FOOT ANGLE-FRONT. The angle measured between the lower leg centerline and a line tangent to the ball and heel of the bare foot flesh line measured on the right leg. Ref SAE J826.
L53	SgRP-FRONT TO HEEL. The dimension measured horizontally from the SgRP-front to the accelerator heel point.
W3	SHOULDER ROOM-FRONT. The minimum dimension measured laterally between the trimmed surfaces on the "X" plane through the SgRP-front at height between the belt line and 254 mm (10.0 in.) above the SgRP-front, excluding the door assist strap and attaching parts.

W5	HIP ROOM-FRONT. The minimum dimension measured laterally between the trimmed surfaces on the "X" plane through the SgRP-front within 25 mm (1.0 in.) below and 76 mm (3.0 in.) above the SgRP-front and 76 mm (3.0 in.) fore and aft of the SgRP-front.
W9	STEERING WHEEL MAXIMUM OUTSIDE DIAMETER. Define if other than round.
H7	ACCELERATOR HEEL POINT TO THE STEERING WHEEL CENTER. The dimension measured vertically from the AHP-front to the intersection of the steering column centerline to a plane tangent to the upper surface of the steering wheel rim.
H18	STEERING WHEEL ANGLE. The angle measured from a vertical to the surface plane of the steering wheel.
H30	SgRP-FRONT TO HEEL. The dimension measured vertically from the SgRP-front to the accelerator heel point.
H50	UPPER BODY OPENING TO GROUND-FRONT. The dimension measured vertically from the trimmed body opening to the ground on the SgRP-front "X" plane.
H61	EFFECTIVE HEAD ROOM-FRONT. The dimension measured along a line 8 deg. rear of vertical from the SgRP-front to the headlining plus 102 mm (4.0 in.).
H67	FLOOR COVERING THICKNESS - UNDEPRESSED - FRONT. The dimension measured vertically from the surface of the underdepressed floor covering to the underbody sheet metal at the accelerator heel point.

##### Rear Compartment Dimensions

L41	BACK ANGLE-SECOND. The angle measured between a vertical line through the SgRP-second and the torso line.
L43	HIP ANGLE-SECOND. The angle measured between torso line and thigh centerline.
L45	KNEE ANGLE-SECOND. The angle measured between thigh centerline and lower leg centerline.
L47	FOOT ANGLE-SECOND. The angle measured between the lower leg centerline and a line tangent to the ball and heel of the three-dimensional devices bare foot flesh line (Reference J826).
L48	KNEE CLEARANCE-SECOND. The minimum dimension measured from the knee pivot center to the back of the front seatback minus 51 mm (2.0 in.).
L50	SgRP COUPLE DISTANCE-SECOND. The dimension measured horizontally from the driver SgRP-front to the SgRP-second.
L51	MINIMUM EFFECTIVE LEG ROOM-SECOND. The dimension measured along a line from the ankle pivot center to the SgRP-second plus 254 mm (10.0 in.).
W4	SHOULDER ROOM-SECOND. The minimum dimension measured laterally between door or quarter trimmed surfaces on the "X" plane through the SgRP-second at height between 254-406 mm (10.0-16.0 in.) above the SgRP-second, excluding the door assist straps and attaching parts.
W6	HIP ROOM-SECOND. Measured in the same manner as W5.
H31	SgRP-SECOND TO HEEL. The dimension measured vertically from the SgRP-second to the two dimensional device heel point on the depressed floor covering.
H51	UPPER BODY OPENING TO GROUND-SECOND. The dimension measured vertically from the trimmed body opening to the ground on the "X" plane 330 mm (13.0 in.) forward of the SgRP-second.
H63	EFFECTIVE HEAD ROOM-SECOND. The dimension measured along a line 8 deg. rear of vertical from the SgRP to the headlining, plus 102 mm (4.0 in.).
H73	FLOOR COVERING-DEPRESSED-SECOND. The dimension measured vertically from the heel point to the underbody sheet metal.

# Specifications

## METRIC

### Interior Vehicle And Body Dimensions - Key Sheet Dimensions Definitions

#### Luggage Compartment Dimensions

V1 USABLE LUGGAGE CAPACITY-Total of volumes of individual pieces of standard luggage set plus H-boxes stowed in the luggage compartment in accordance with the procedure described in paragraph 8.2 of SAE-J1100a.

#### Interior Volumes (EPA Classification)

The Interior Index is listed for each body style except two seaters. The Interior Volume Index estimates the space in a car. It is based on four measurements - head room, shoulder room, hip room, and leg room - for the front and rear seats, plus trunk capacity.

The Trunk/Cargo Index is an estimate of the size of the trunk/cargo space. In station wagons and hatchbacks it is an estimate of the space behind the second seat.

#### Station Wagon/MPV - Third Seat Dimensions

L85 SgRP COUPLE DISTANCE-THIRD. The dimension measured horizontally from the SgRP-second to the SgRP-third.

L86 EFFECTIVE LEG ROOM-THIRD. The dimension measured along a line from the ankle pivot center to the SgRP-third plus 254 mm (10.0 in.).

L87 KNEE CLEARANCE-THIRD. The minimum dimension from the knee pivot center to the back of second seatback minus a constant of 51 mm (2.0 in.). With rear-facing third seat, dimension is measured to closure.

L88 BACK ANGLE-THIRD. Measured in the same manner as L41.

L89 HIP ANGLE-THIRD. Measured in the same manner as L43.

L90 KNEE ANGLE-THIRD. Measured in the same manner as L45.

L91 FOOT ANGLE-THIRD. Measured in the same manner as L47.

W85 SHOULDER ROOM-THIRD. Measured in the same manner as W4.

W86 HIP ROOM-THIRD. Measured in the same manner as W5.

H86 EFFECTIVE HEAD ROOM-THIRD. The dimension, measured along a line 8 deg. from the SgRP-third to the headlining rear of vertical plus a constant of 102 mm (4.0 in.).

H87 SgRP-THIRD TO HEEL POINT

SD1 SEAT FACING DIRECTION-THIRD.

#### Station Wagon/MPV - Cargo Space Dimensions

L200 CARGO LENGTH-OPEN-FRONT. The minimum dimension measured longitudinally from the back of the front seatback at the height of the undepressed floor covering to the rearmost point on the undepressed floor covering on the open tailgate or cargo surface if the rear closure is a conventional door type tailgate at the zero "Y" plane.

L201 CARGO LENGTH-OPEN-SECOND. The dimension measured longitudinally from the back of the second seatback at the height of the undepressed floor covering on the open tailgate or cargo floor surface if the rear closure is a conventional door type tailgate, at the zero "Y" plane.

L202 CARGO LENGTH-CLOSED-FRONT. The minimum dimension measured horizontally from the back of the front seat at the height of the undepressed floor covering to the rearmost point on the undepressed floor covering on the closed tailgate or taildoor for station wagons, trucks and mpv's at the zero "Y" plane.

L203 CARGO LENGTH-CLOSED-SECOND. The dimension measured horizontally from the back of the second seat at the height of the undepressed floor covering to the rearmost point on the undepressed floor covering on the closed tailgate or taildoor for station wagons, trucks and mpv's at the zero "Y" plane.

L204 CARGO LENGTH AT BELT-FRONT. The minimum dimension measured horizontally from the back of the front seatback at the seatback top to the foremost normal surface of the closed tailgate or inside surface of the cab backpanel at the height of the belt, on the zero "Y" plane.

L205 CARGO LENGTH AT BELT-SECOND. The minimum dimension measured horizontally from the back of the second seatback top to the foremost normal surface of the closed tailgate at the height of the belt, on the zero "Y" plane.

W201 CARGO WIDTH-WHEELHOUSE. The minimum dimension measured laterally between the trimmed wheel housings at floor level. For any vehicle not trimmed, measure to the sheet metal.

W203 REAR OPENING WIDTH AT FLOOR. The minimum dimension measured laterally between the limiting interferences of the rear opening at floor level.

W204 REAR OPENING WIDTH AT BELT. The minimum dimension measured laterally between the limiting interferences of the rear opening at belt height or top of pick up box.

W205 REAR OPENING WIDTH ABOVE BELT. The minimum dimension measured laterally between the limiting interferences of the rear opening above the belt height.

W500 CARGO WIDTH AT FLOOR. The maximum dimension measured laterally between the limiting interferences at the floor level. This dimension shall include ribs and pillars, but will exclude wheelhouses.

H197 FRONT SEATBACK TO LOAD FLOOR HEIGHT. The dimension measured vertically from the horizontal tangent to the top of the seatback to the undepressed floor covering.

H201 CARGO HEIGHT. The dimension measured vertically from the top of the undepressed floor covering to the headlining at the rear wheel "X" coordinate on the zero "Y" plane.

H202 REAR OPENING HEIGHT. The dimension measured vertically from the top of the undepressed floor covering to the upper trimmed opening on the zero "Y" plane with rear door fully open.

H250 TAILGATE TO GROUND CURB MASS (WT.) The dimension measured vertically from the top of the undepressed floor covering on the lowered tailgate to ground on the zero "Y" plane.

H505 MAXIMUM CARGO HEIGHT. The maximum vertical dimension rear of the front seat from the cargo floor to roof bow or headlining at the zero "Y" plane.

# Specifications

## METRIC

### Interior Vehicle And Body Dimensions - Key Sheet

#### Dimensions Definitions

<p>V2 STATION WAGON Measured in inches:</p> $\frac{W4 \times H201 \times L204}{1728} - ft^3$ <p>Measured in mm:</p> $\frac{W4 \times H201 \times L204}{10^9} - m^3(cubicmeter)$	<p>L208 CARGO LENGTH AT FRONT SEATBACK HEIGHT. The minimum horizontal dimension from the "X" plane tangent to the rearmost surface of the driver's seatback to the inside limiting interference of the hatchback door on the vehicle zero "Y" plane.</p> <p>L209 CARGO LENGTH AT FLOOR-FRONT. The minimum horizontal dimension measured at floor level from the rear of the front seatback to the normal limiting interference of the hatchback door on the vehicle zero "Y" plane.</p> <p>L210 CARGO LENGTH AT SECOND SEATBACK HEIGHT. The minimum dimension measured from the "X" plane tangent to the rearmost surface of second seatback or the load floor which is towed at least one half of the H198 dimension height above the rear load floor, to the rearmost inside limiting interference on the zero "X" plane.</p>
<p>V4 HIDDEN LUGGAGE CAPACITY-REAR OF FRONT SEAT. The total volumes of individual pieces of one set of standard luggage stowed in any hidden cargo area below the load floor rear of the front seat.</p> <p>V5 TRUCKS AND MPV'S WITH OPEN AREA. Measured in inches:</p> $\frac{L506 \times W505 \times H503}{1728} - ft^3$ <p>Measured in mm:</p> $\frac{L506 \times W500 \times H503}{10^9} - m^3(cubicmeter)$	<p>L211 CARGO LENGTH AT FLOOR-SECOND SEATBACK. The minimum horizontal dimension measured at floor level from the rear of the second seatback or load floor panel to the normal limiting interference of the hatchback door on the vehicle zero "Y" plane.</p> <p>H197 FRONT SEATBACK TO LOAD HEIGHT. The dimension measured vertically from the horizontal tangent to the top of the seatback to the undepressed floor covering.</p> <p>H198 SECOND SEATBACK TO LOAD FLOOR HEIGHT. The dimension measured vertically from the second seatback to the undepressed floor covering.</p>
<p>V6 TRUCKS AND MPV'S WITH CLOSED AREA. Measured in inches:</p> $\frac{L204 \times W500 \times H505}{1728} - ft^3$ <p>Measured in mm:</p> $\frac{L204 \times W500 \times H505}{10^9} - m^3(cubicmeter)$	<p>V3 HATCHBACK. Measured in inches:</p> $\frac{L208 - L209}{2} \times W4 \times H197 - ft^3$ <p>Measured in mm:</p> $\frac{L208 - L209}{2} \times W4 \times H197 - m^3(cubicmeter)$
<p>V8 HIDDEN LUGGAGE CAPACITY-REAR OF SECOND SEAT. The total volume of individual pieces of one set of standard luggage stowed in any hidden cargo area below the load floor rear of the second seat.</p> <p>V10 STATION WAGON CARGO VOLUME INDEX. Measured in inches:</p> $\frac{H201 \times L205 \times \frac{W4 - W201}{2}}{1728} - ft^3$ <p>Measured in mm:</p> $\frac{H201 \times L205 \times \frac{W4 - W201}{2}}{10^9} - m^3(cubicmeter)$	<p>V4 HIDDEN LUGGAGE CAPACITY-REAR OF FRONT SEAT. The total volumes of individual pieces of one set of standard luggage stowed in any hidden cargo area below the load floor rear of the front seat.</p> <p>V11 HATCHBACK CARGO VOLUME INDEX. Usable luggage (one (1) stand and luggage set) below floor: Measured in inches:</p> $\frac{L210 - L211}{2} \times W4 \times H198 - ft^3$ <p>Measured in mm:</p> $\frac{L210 - L211}{2} \times W4 \times H198 - m^3(cubicmeter)$

#### Hatchback - Cargo Space Dimensions

All Hatchback cargo dimensions are to be taken with the front seat in full down and rear position, and the rear seat folded down. The hatchback door is in the closed position. (For electronically adjusted seats, see the manufacturer's specifications for Design "H" Point).

# Specifications

## METRIC

### Index

Subject	Page No.
Alternator	16
Axle, Drive, Front, Rear, All Four	2, 9, 10
Axle Shafts	10
Battery	16
Body and Miscellaneous Information	17
Brakes-Parking Service	12, 13
Camber	15
Camshaft	3
Capacities	
Cooling System	5
Fuel Tank	6
Lubricants	
Engine Crankcase	4
Transmission/Transaxle	8,9
Rear Axle	10
Carburetor	2,6
Caster	15
Climate Control System	19
Clutch-Pedal Operated	8
Coil, Ignition	16
Connecting Rods	4
Convenience Equipment	20-21
Cooling System	5
Crankshaft	4
Cylinders and Cylinder Head	3
Diesel Information	4
Dimension Definitions	
Key Sheet-Exterior	28,31,32
Key Sheet-Interior	29,30,32,33,34
Electrical System	15,16
Emission Controls	7
Engine-General	
Bore, Stroke, Type	3
Compression Ratio	2
Displacement	2,3
Firing Order, Cylinder Numbering	3
General Information, Power & Torque	2
Intake System	4
Power Teams	2
Exhaust System	7
Equipment Availability, Convenience	20
Fan, Cooling	5
Filters - Engine Oil, Fuel System	4
Four Wheel Drive	10
Frame	17
Front Suspension	11
Front Wheel Drive Unit	10
Fuel Economy, EPA	1
Fuel Injection	6
Fuel System	6
Fuel Tank	6
Glass	18
Headlamps	18
Headroom-Body	23,24
Heights	22
Horns	15
Horsepower-Brake	2
Ignition System	16
Inflation-Tires	13
Interior Volumes	23
Instruments	15
Legroom	23,24
Lengths	22
Leveling,Suspension	11
Lifters, Valve	4
Linings-Clutch, Brake	8,12
Lubrication-Engine Transmission/Transaxle	4,8,9
Luggage Compartment	23
Models	1
Motor Starting	16
Muffler	7

Subject	Page No.
Origin	1
Passenger Capacity	1
Passenger Mass Distribution	26
Pistons	3
Power Brakes	12
Power Engine	2
Power Steering	14
Power Teams	2
Propeller Shaft	10
Pumps-Fuel	6
Water	5
Radiator-Cap, Hoses, Core	5
Ratios-Axle, Transaxle	2,9,10
Compression	2
Steering	14
Transmission/Transaxle	2,8,9
Rear Axle	2,10
Regulator-Alternator	16
Restraint System	18
Rims	13
Rods-Connecting	4
Scrub Radius	14
Seats	17
Shock Absorbers, Front & Rear	11
Spark Plugs	16
Speedometer	15
Springs-Front & Rear Suspension	11
Stabilizer (Sway Bar)-Front & Rear	11
Starting System	16
Steering	14
Suppression-Ignition, Radio	16
Suspension-Front & Rear	11
Tail Pipe	7
Theft Protection	21
Thermostat, Cooling	5
Tires	13
Toe-In	15
Torque Converter	9
Torque-Engine	2,8,9
Trailer Towing	21
Transaxle	9
Transmission-Types	2,8,9
Transmission-Automatic	2,9
Transmission-Manual	2,8
Transmission-Ratios	2,8,9
Tread	22
Trunk Cargo Load	1
Trunk Luggage capacity	23
Turning Diameter	14
Unitized Construction	18
Universal Joints, Propeller Shaft	10
Valve System	4
Vehicle Dimensions	
Width	22
Length	22
Height	22
Ground Clearance	22
Front Compartment	23
Rear Compartment	23
Luggage Compartment	23
Station Wagon-Third Seat	24
Station Wagon-Cargo Space	24
Hatchback-Cargo Space	24
Fiducial Marks	25
Voltage Regulator	16
Water Pump	5
Weights	26,27
Wheel Alignment	15
Wheelbase	22
Wheels & Tires	13
Wheel Spindle	14
Widths	22
Windshield	18
Windshield Wiper and Washer	15