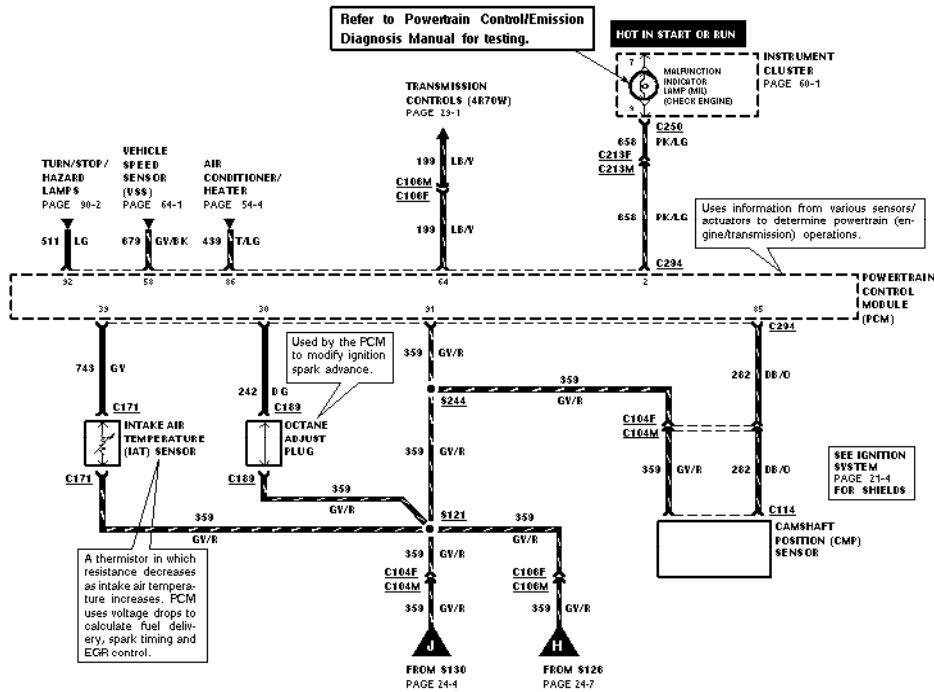
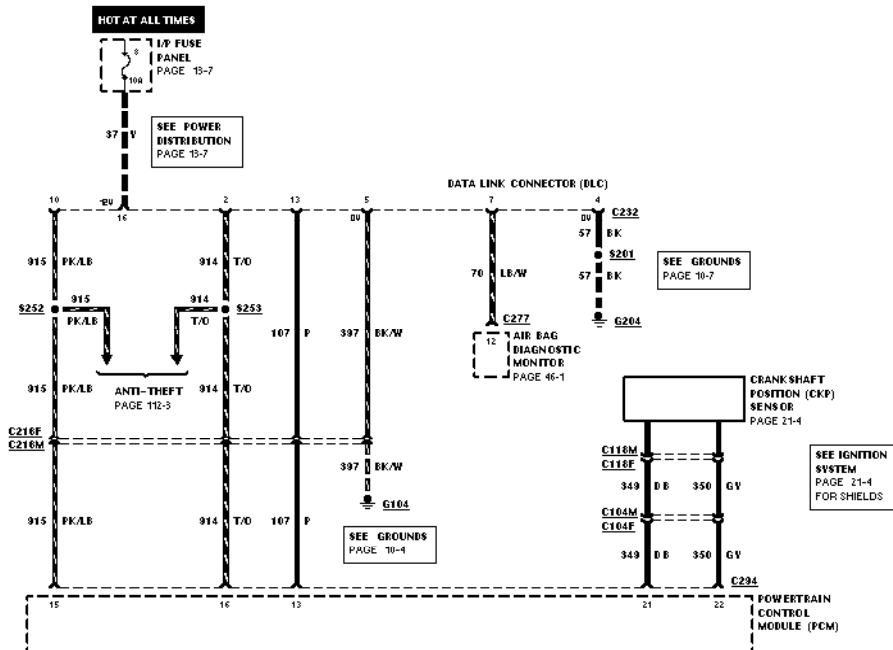


24-5 Electronic Engine Control, 4.6L-2V



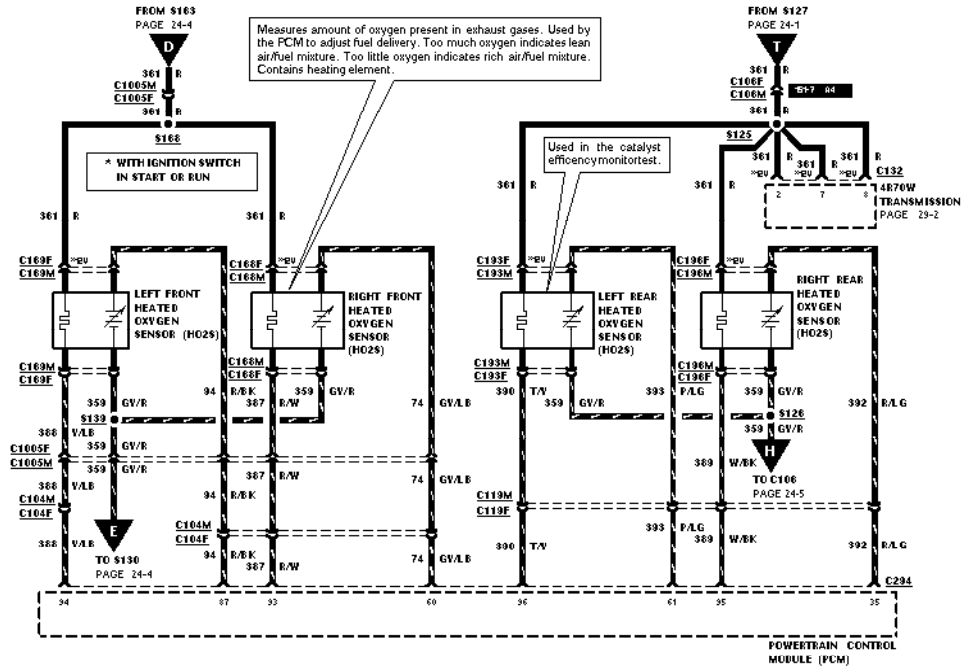
- ➡ Component
- ➡ Connector
- ➡ Splice
- ➡ Page
- ➡ Harness

24-6 Electronic Engine Control, 4.6L-2V



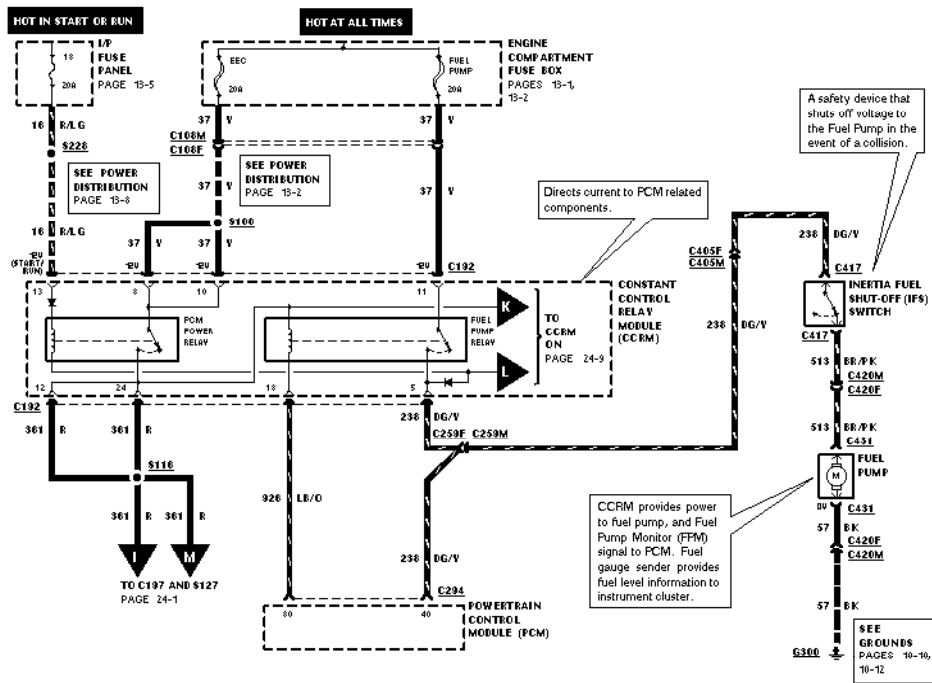
- ➡ Component
- ➡ Connector
- ➡ Ground
- ➡ Splice
- ➡ Page
- ➡ Harness

24-7 Electronic Engine Control, 4.6L-2V



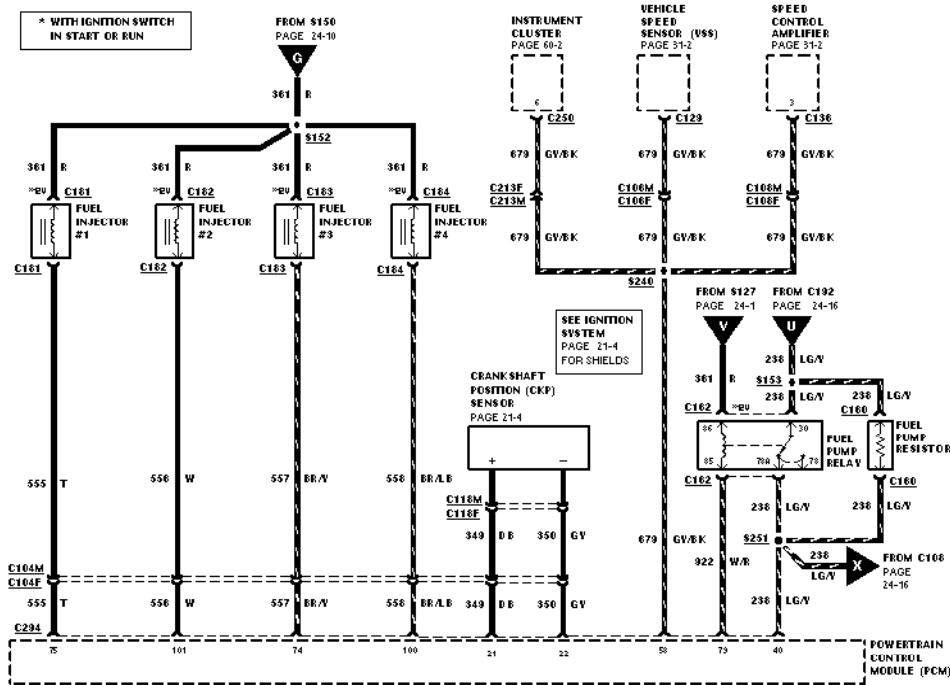
- Component
- Connector
- Splice
- Page
- Harness

24-8 Electronic Engine Control, 4.6L-2V



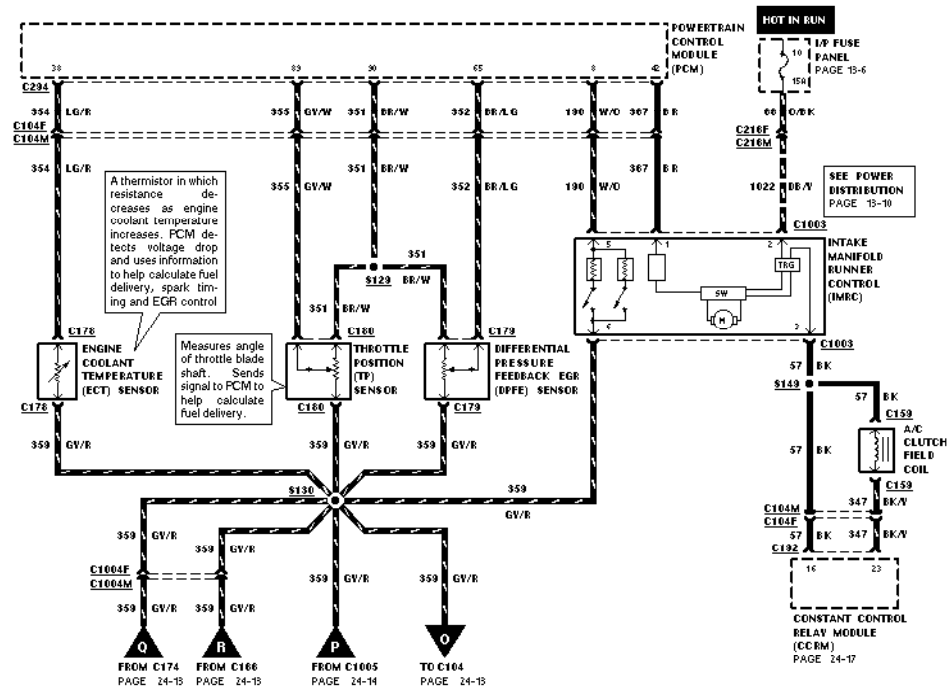
- Component
- Connector
- Ground
- Splice
- Page
- Harness

24-9 Electronic Engine Control, 4.6L-2V



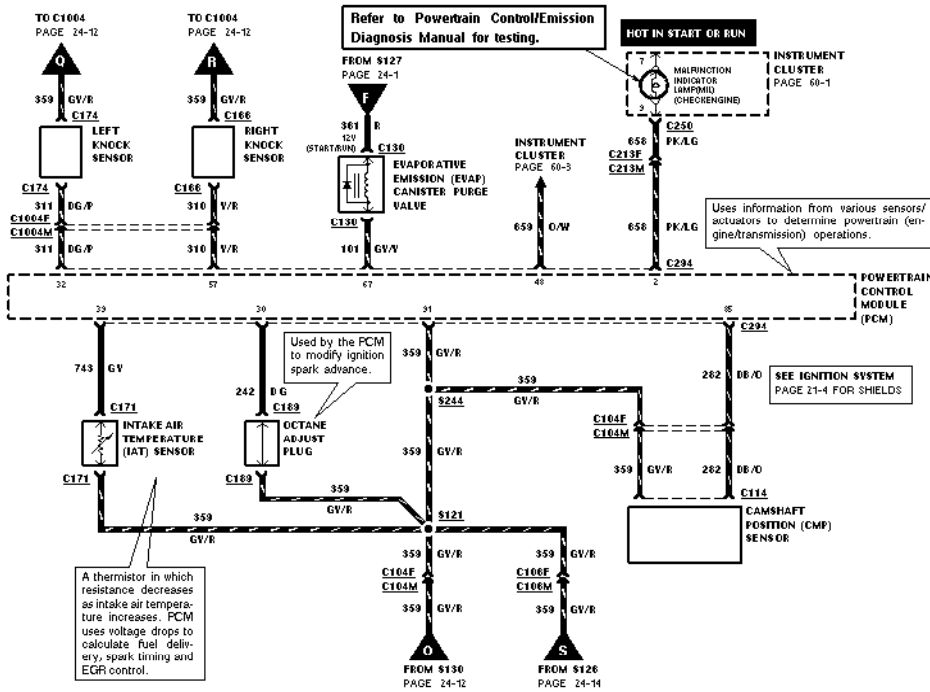
- ➔ Component
- ➔ Connector
- ➔ Splice
- ➔ Page
- ➔ Harness

24-12 Electronic Engine Control, 4.6L-4V



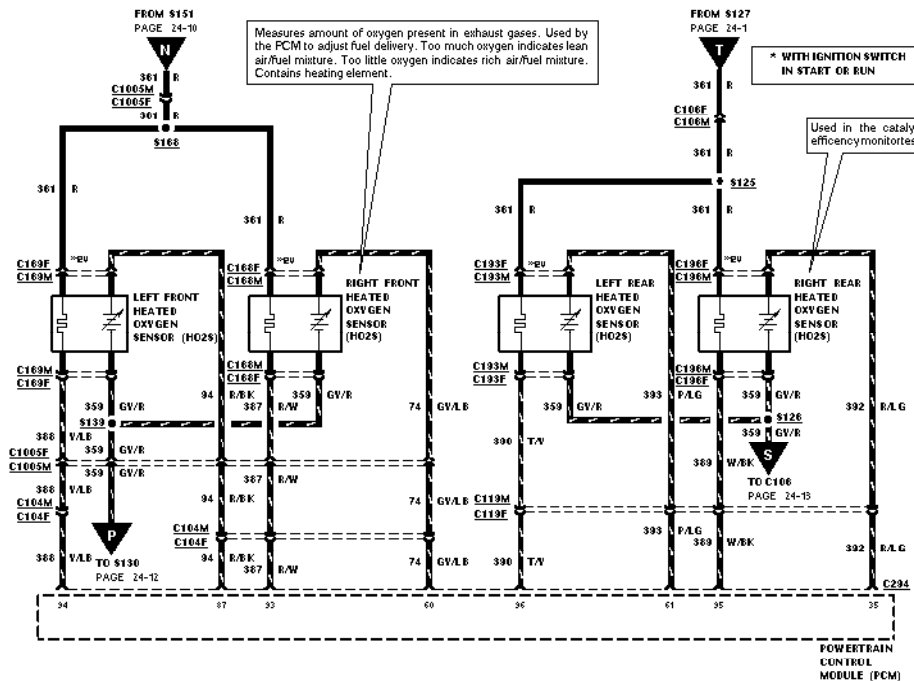
- ➔ Component
- ➔ Connector
- ➔ Splice
- ➔ Page
- ➔ Harness

24-13 Electronic Engine Control, 4.6L-4V



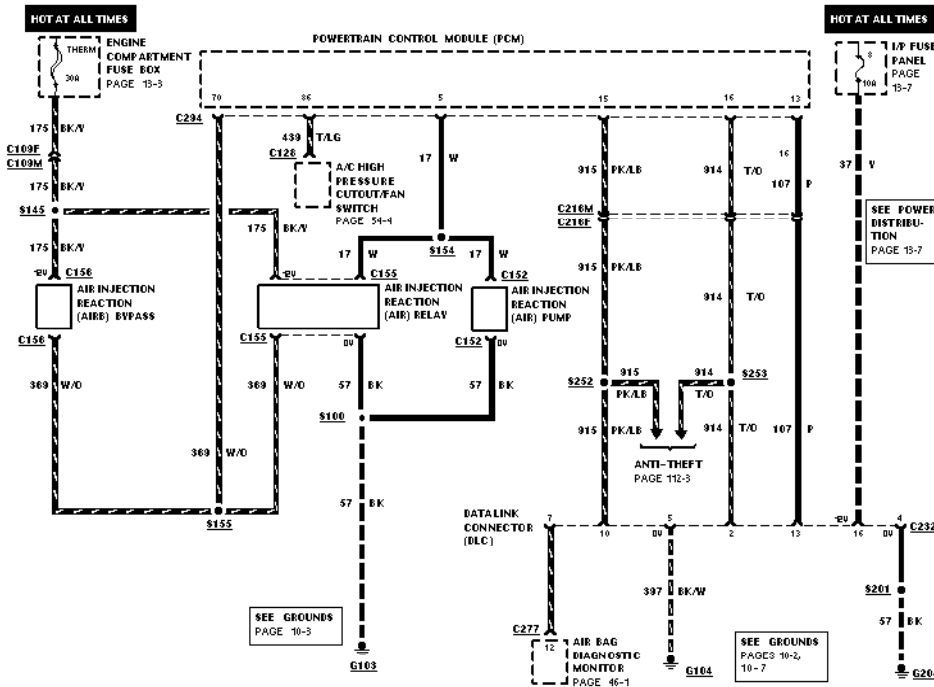
- ➡ Component
- ➡ Connector
- ➡ Splice
- ➡ Page
- ➡ Harness

24-14 Electronic Engine Control, 4.6L-4V



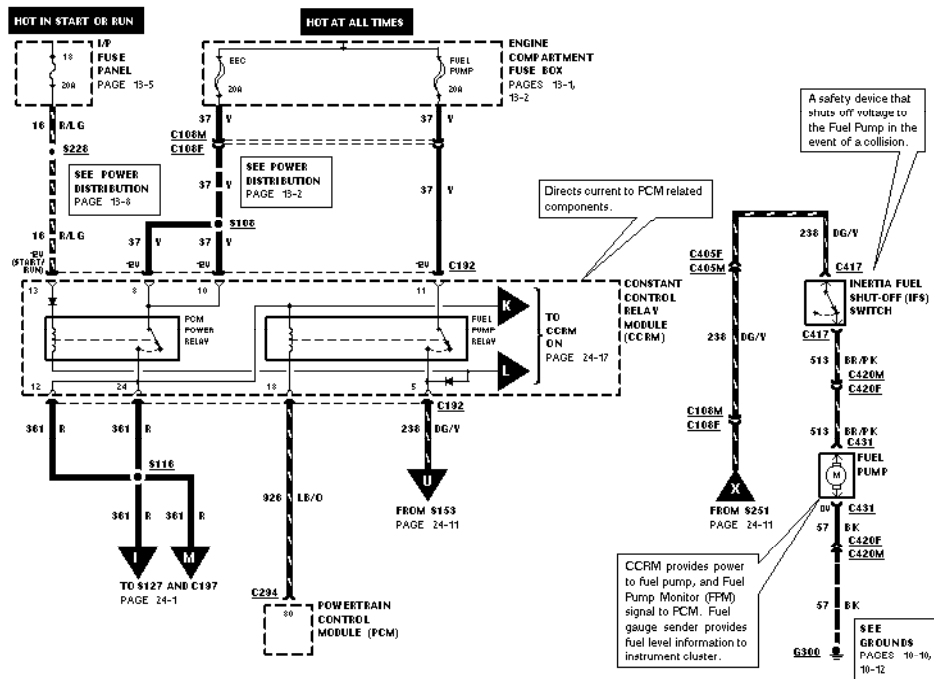
- ➡ Component
- ➡ Connector
- ➡ Splice
- ➡ Page
- ➡ Harness

24-15 Electronic Engine Control, 4.6L-4V



- Component
- Connector
- Ground
- Splice
- Page
- Harness

24-16 Electronic Engine Control, 4.6L-4V



- Component
- Connector
- Ground
- Splice
- Page
- Harness

24-17 Electronic Engine Control, 4.6L-4V

