

US INSTALLATION INSTRUCTION - ILLUMINATED DOOR SILL

E INSTRUCCIONES DE INSTALACION - SEUIL DE PORTE ILLUMINÉ

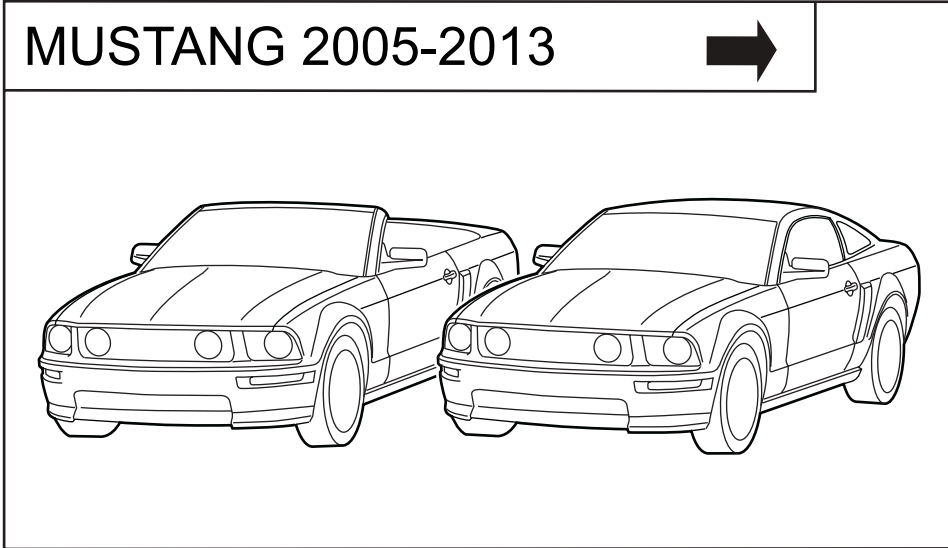
F INSTRUCTIONS D'INSTALLATION - ESTRIBO DE PUERTA ILUMINADO



www.classicdesignconcepts.com

Questions: 866-624-7997

Subject to alteration without notice  
Reservadas modificaciones técnicas  
Sous réserve de modifications techniques



PERSONAL INJURY  
LESIONES PERSONALES  
RISQUE DE BLESSURE



VEHICLE DAMAGE  
DANO DE VEHICULO  
DOMMAGE AU VÉHICULE



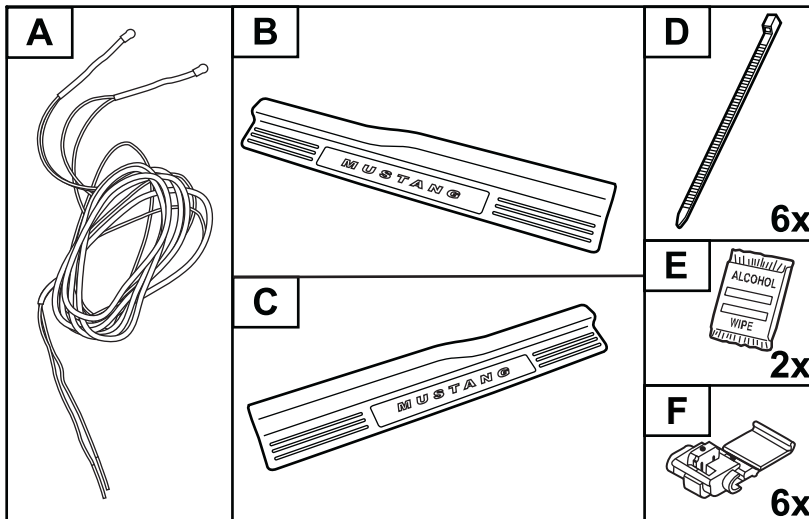
INCORRECT  
INCORRECTO  
INCORRECT



CORRECT  
CORRECTO  
CORRECT



SEE MANUAL  
VER MANUAL  
VOIR LE MANUEL



**For 2005-2013 vehicles WITHOUT ambient lighting.**

Kit includes:

- A. 1-Wiring harness
- B. 1-RH Scuff plate
- C. 1-LH Scuff plate
- D. 6-tie straps
- E. 2-alcohol wipes
- F. 6-quick connects

**For 2010-2013 vehicles WITH ambient lighting.**

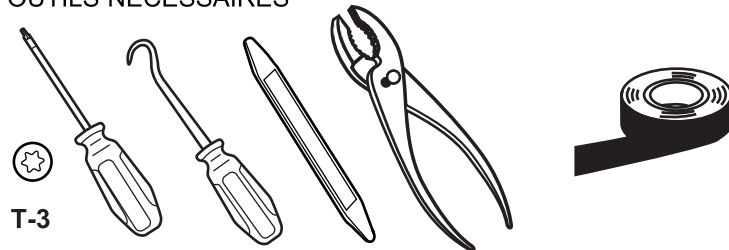
Kit includes:

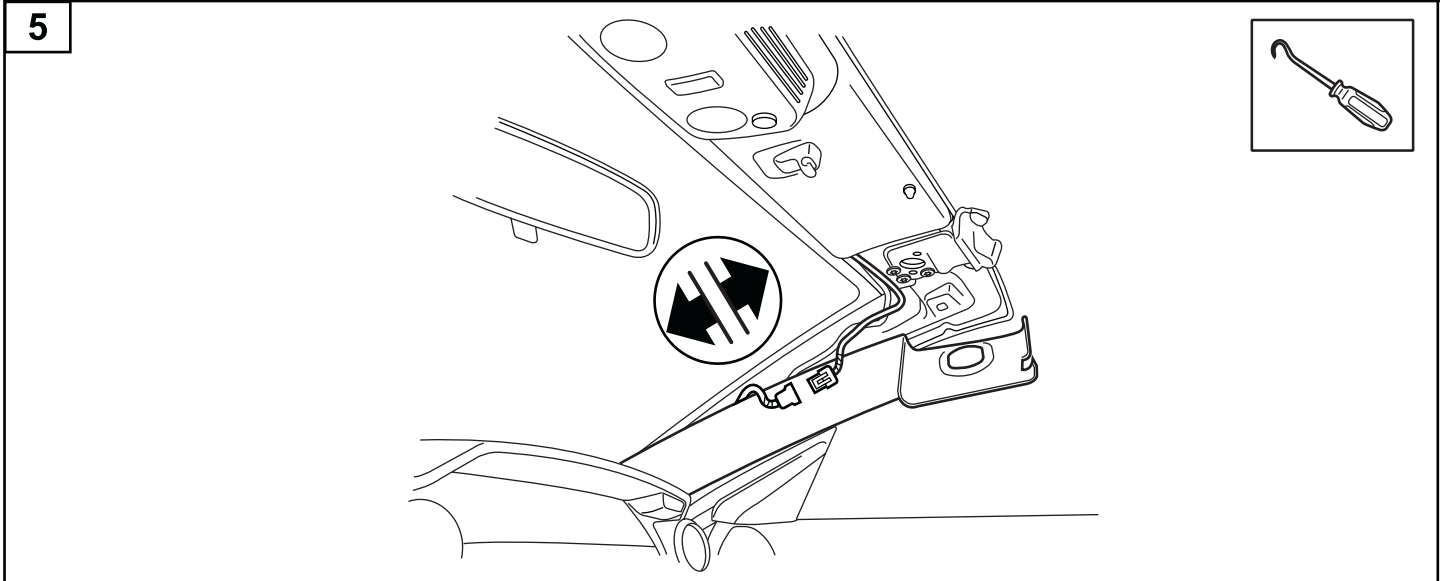
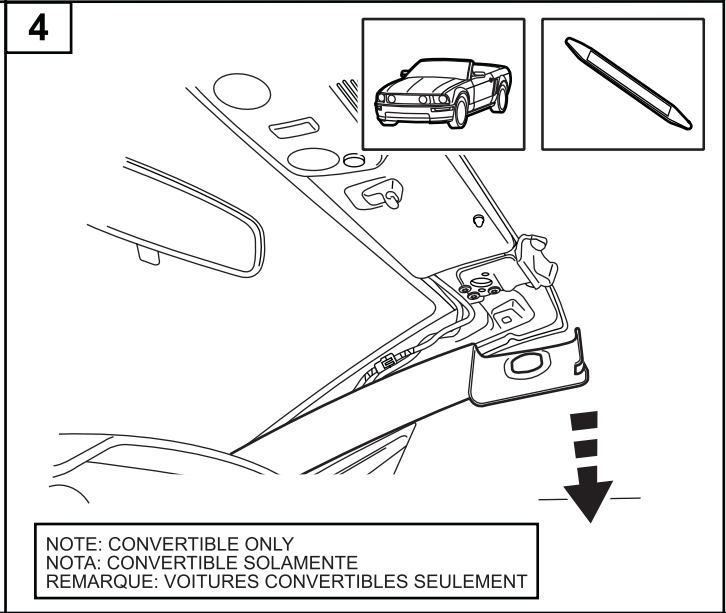
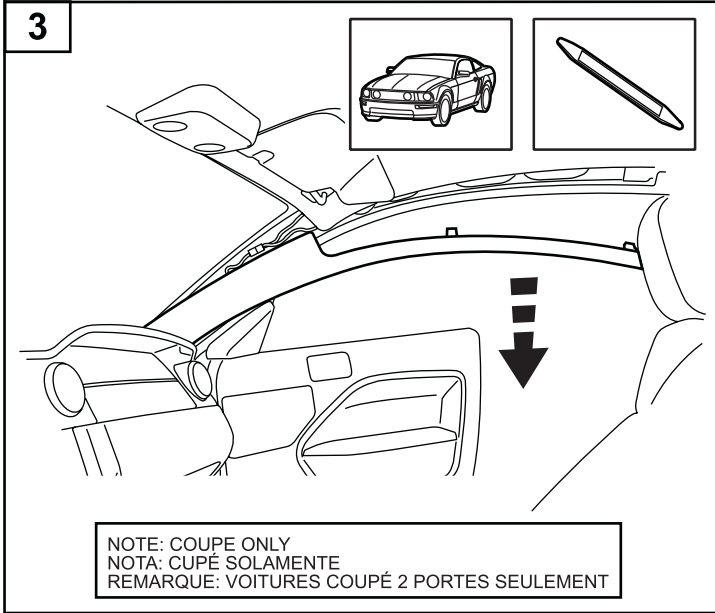
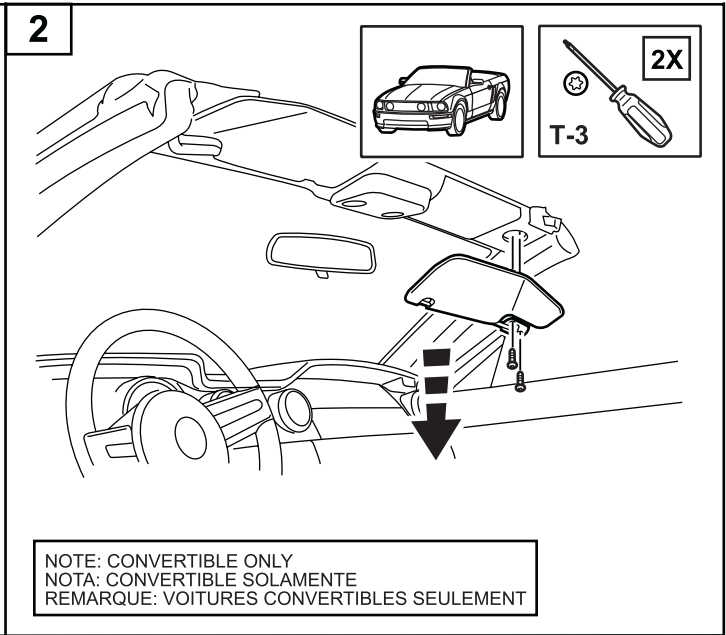
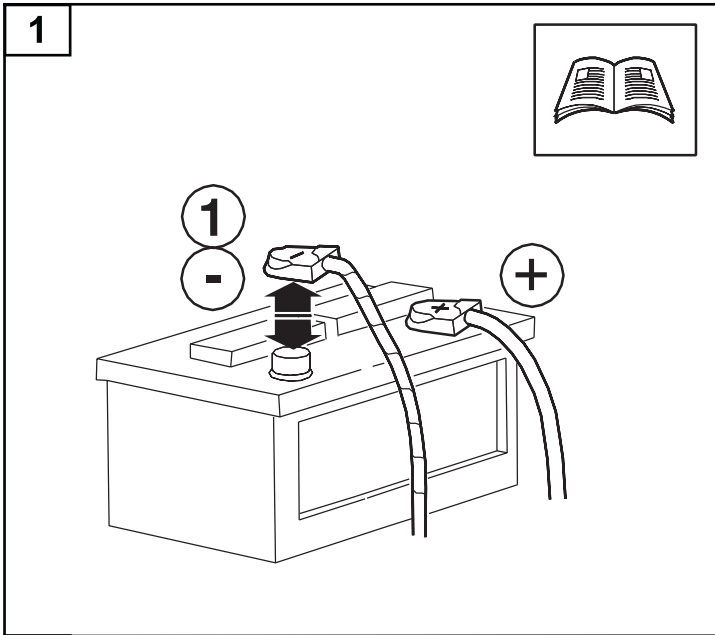
- B. 1-RH Scuff plate
- C. 1-LH Scuff plate
- E. 2-alcohol wipes

**For installation follow steps:**

- Step 9: Remove RH old scuff, press locking tab to disconnect wire connectors
- Step 13: Connect new scuff in existing connector
- Step 15: Peel tape liners and install new scuff
- Repeat on LH side

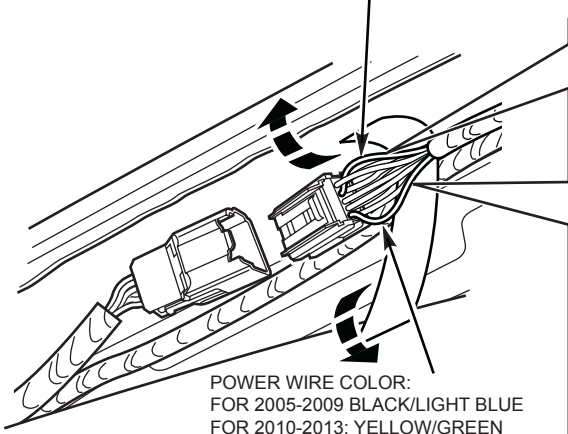
TOOLS REQUIRED  
HERRAMIENTAS NECESARIAS  
OUTILS NÉCESSAIRES



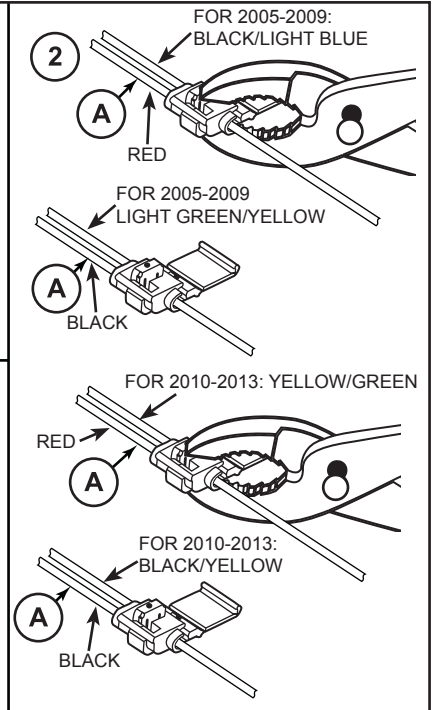
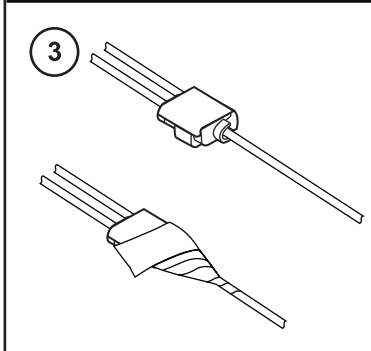
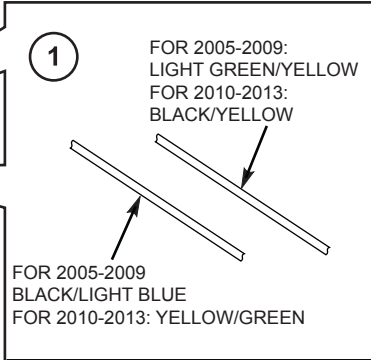
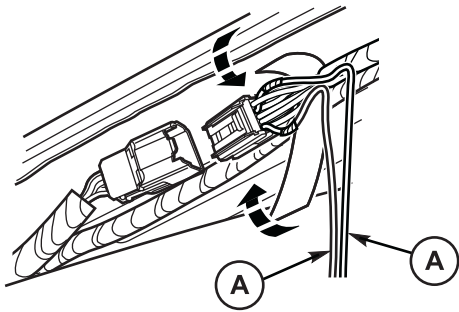


6

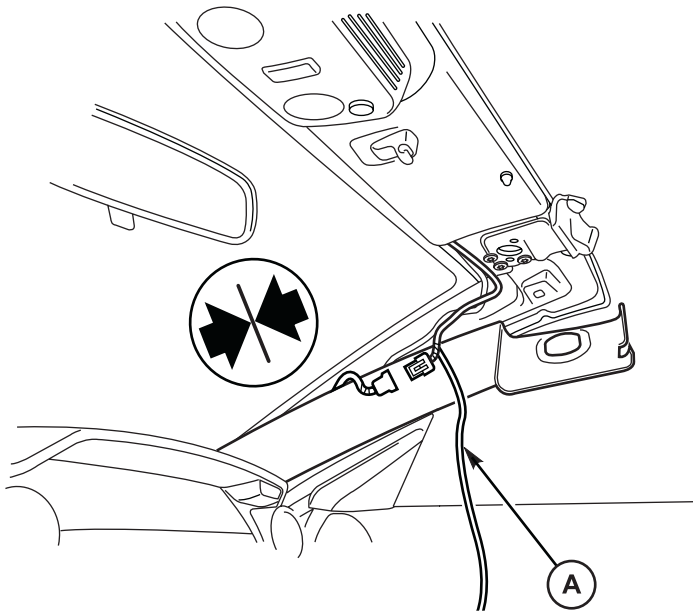
GROUND WIRE COLOR:  
FOR 2005-2009 LIGHT GREEN/YELLOW  
FOR 2010-2013: BLACK/YELLOW



POWER WIRE COLOR:  
FOR 2005-2009 BLACK/LIGHT BLUE  
FOR 2010-2013: YELLOW/GREEN



7



8

